



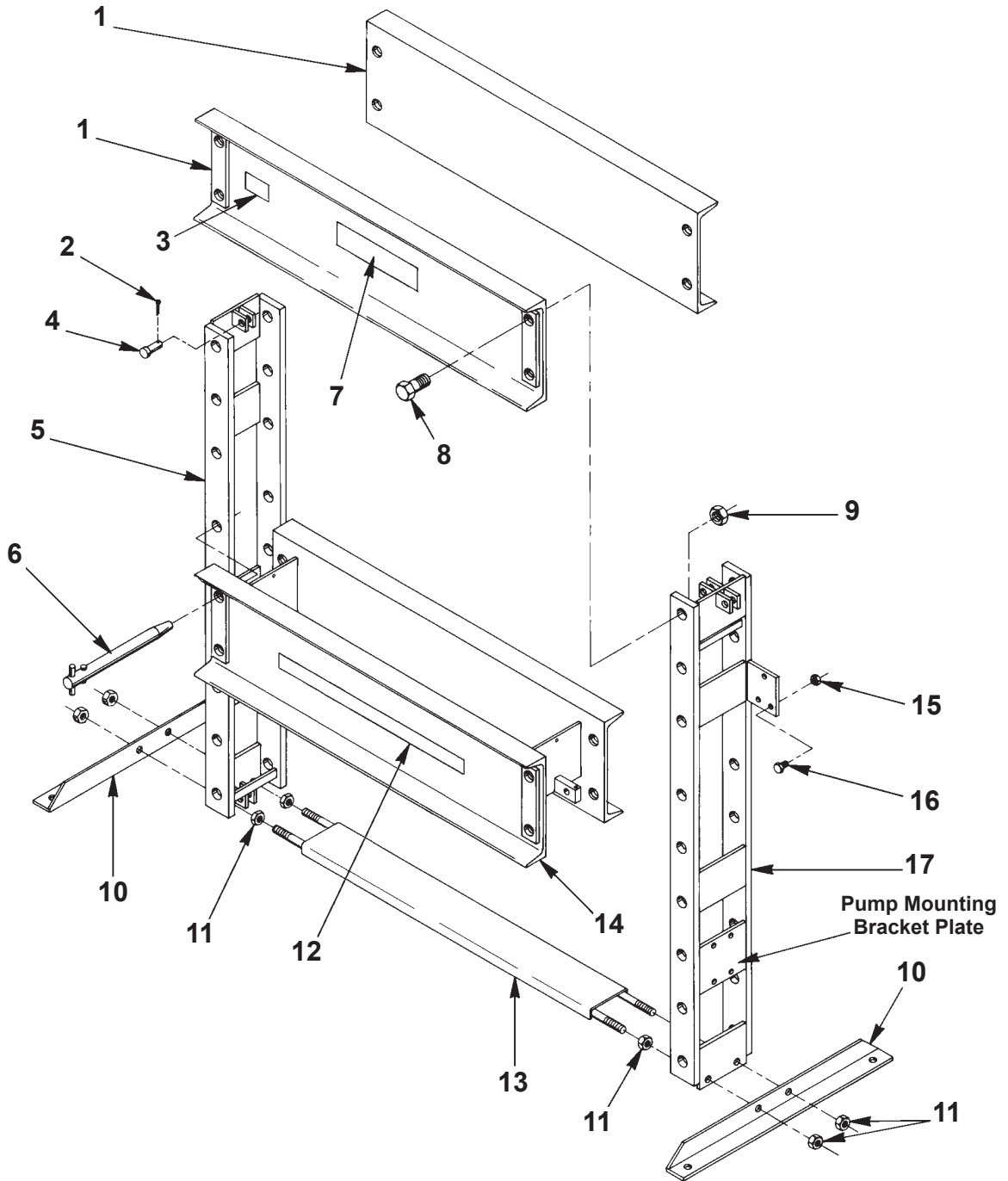
655 Eisenhower Drive
Owatonna, MN 55060 USA
Phone: (507) 455-7000
Tech. Serv.: (800) 533-6127
Fax: (800) 955-8329
Order Entry: (800) 533-6127
Fax: (800) 283-8665
International Sales: (507) 455-7223
Fax: (507) 455-7063

Form No. 100358

Parts List for:

1857
1858
1858-1P
60534 (press frame only)

100 Ton Shop Press Frame Assembly

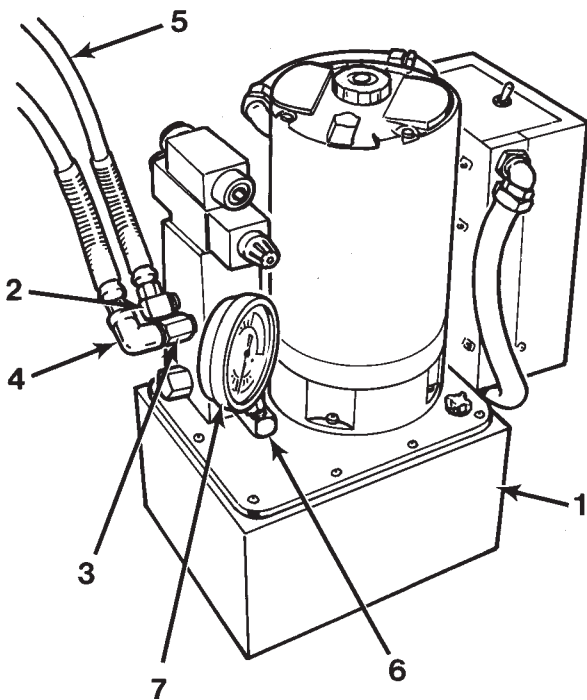


Sheet No. 1 of 2

Issue Date: Rev. E September 4, 2014

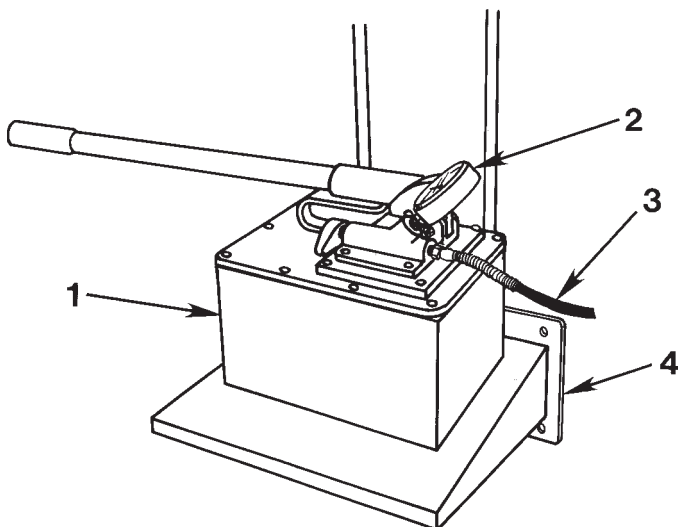
Item No.	Part No.	No. Req'd	Description
1	43148	2	Upper Bolster
2	10472	3	Cotter Pin ($\frac{1}{8}$ Dia. x 1 $\frac{1}{2}$ -in. Long)
3	206043	1	Instruction Decal
4	16654	3	Clevis Pin
5	51230	1	Upright, Left-Hand
6	38166	4	Cross Pin
7	11592	1	Trade Name Decal
8	204344	8	Special Cap Screw
9	10406	8	Hex Jam Nut (1 $\frac{1}{8}$ -12; Torque to 275/300 ft. lbs.)

Item No.	Part No.	No. Req'd	Description
10	25849	2	Foot Angle
11	10397	8	Hex Nut ($\frac{3}{4}$ -10)
12	46909	1	Warning Decal
13	43176	1	Upright Spacer
14	61144	1	Lower Bolster
15	10204	3	Hex Nut ($\frac{3}{8}$ -16)
16	10049	3	Hex Hd. Cap Screw ($\frac{3}{8}$ -16 x 1-in. Long)
17	51229	1	Upright, Right-Hand



61217 and 4064 Electric Pump

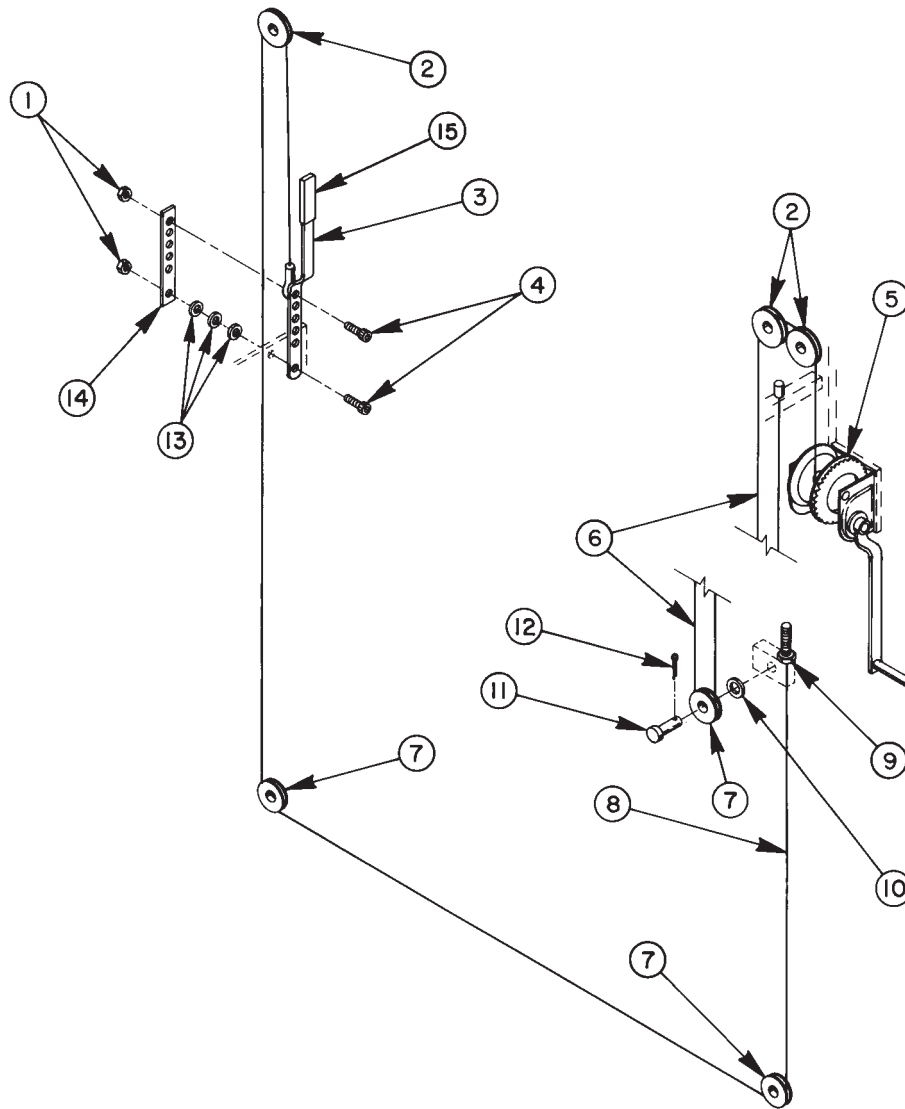
Item No.	Part No.	No. Req'd	Description
1	61217	1	Electric Pump (Used on 1858)
	4064	1	Electric Pump (Used on 1858-1P)
2	10474	1	Elbow Fitting (90° x $\frac{3}{8}$ NPTF)
3	13828	1	Straight Fitting ($\frac{3}{8}$ NPTF)
4	10647	1	Elbow Fitting (90° x $\frac{3}{8}$ NPTF)
5	36888	2	Hyd. Hose, 10 ft.
6	10645	1	45° Street Elbow
7	10492	1	Gauge
	Not Shown		
	50931	1	Pump Mounting Bracket



4008 Hand Pump

Item No.	Part No.	No. Req'd	Description
1	4008	1	Hand Pump (Used on 1857)
2	10492	1	Gauge
3	303840	1	Hyd. Hose, 10 ft.
4	50931	1	Pump Mounting Bracket

Cable Assembly

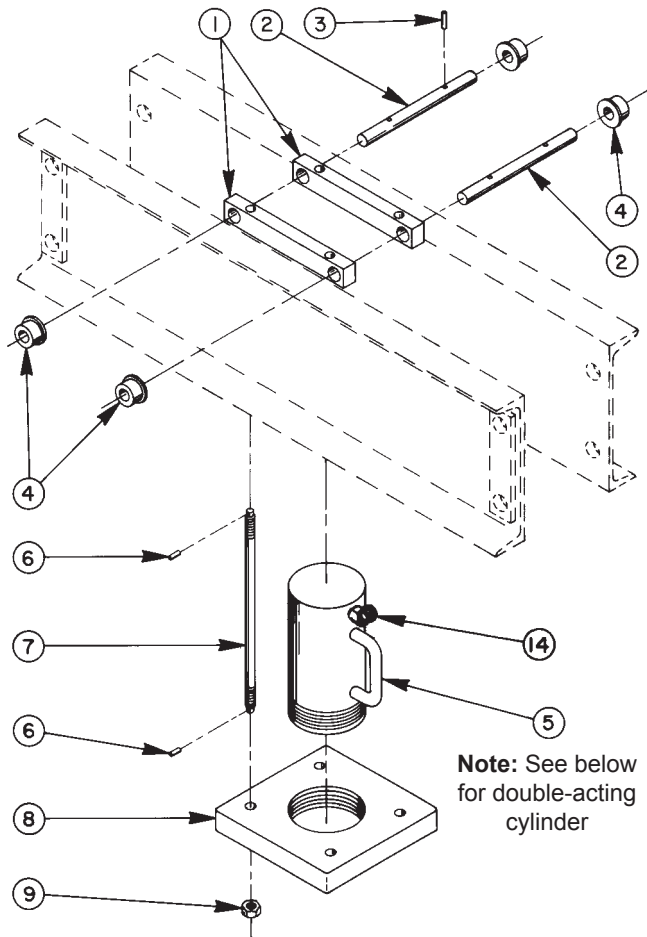


Item No.	Part No.	No. Req'd	Description
1	12809	2	Lock Nut (1/4-20)
2	16659	3	Pulley (3-in. O.D.)
3	38579	1	Handle
4	10020	2	Cap Screw (1/4-20 x 1 1/4-in. long)
5	18895-1	1	Winch
6	207043	1	Winch Cable
7	16653	3	Pulley (2 1/2-in. O.D.)

Item No.	Part No.	No. Req'd	Description
8	38200	1	Press Cable
9	10204	1	Hex Nut (3/8-16)
10	12330	1	Washer
11	16654	3	Clevis Pin
12	10472	3	Cotter Pin
13	12719	3	Washer
14	201929	1	Cable Strap
15	17241	1	Handle Grip

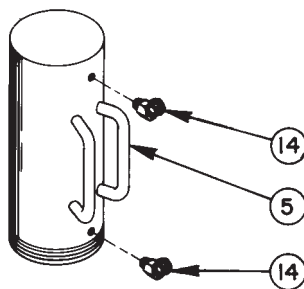
Cylinder Mounting Assembly

Single-Acting Cylinder

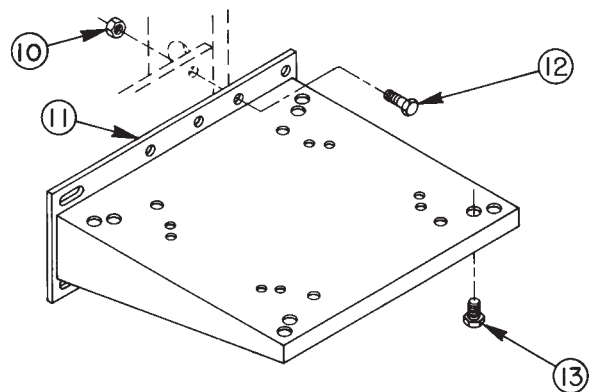


Item No.	Part No.	No. Req'd	Description
1	44419	2	Bar
2	302551	2	Bar
3	10982	4	Slotted Spring Pin ($\frac{1}{4}$ -in. dia. x $1\frac{1}{2}$ -in. long)
4	206944	4	Roller
5	52434	1	Single-Acting Cylinder (Used on 1857; includes Item 14)
	51683	1	Double-Acting Cylinder (Used on 1858 and 1858-1P; includes Item 14)
6	10585	8	Roll Pin ($\frac{1}{4}$ -in. dia. x 1-in. long)
7	302549	4	Threaded Rod
8	52451	1	Cylinder Mtg. Plate (Used on 1857)
	51786	1	Cylinder Mtg. Plate (Used on 1858 and 1858-1P)
9	10216	4	Hex Nut ($\frac{3}{4}$ -10 UNC)
10	10204	2	Hex Nut ($\frac{3}{8}$ -16)
11	50931	1	Pump Mounting Bracket
12	10052	2	Hex Hd. Cap Screw ($\frac{3}{8}$ -16 x $1\frac{1}{4}$ -in. long)
13	10798	4	Hex Hd. Cap Screw ($\frac{1}{2}$ -20 x $\frac{3}{4}$ -in. long)
14	10648	1	45° Elbow Fitting (included with 52434 Single-Acting Cylinder)
		2	45° Elbow Fitting (included with 51683 Double-Acting Cylinder)

Double-Acting Cylinder



Pump Mounting Bracket



Refer to any operating instructions included with the product for detailed information about operation, testing, disassembly, reassembly, and preventive maintenance.

Items found in this parts list have been carefully tested and selected by OTC.

Therefore: Use only OTC replacement parts.

Additional questions can be directed to the OTC Technical Services Department.