



655 Eisenhower Drive  
Owatonna, MN 55060 USA  
Phone: (507) 455-7000  
Tech. Serv.: (800) 533-6127  
Fax: (800) 955-8329  
Order Entry: (800) 533-6127  
Fax: (800) 283-8665  
International Sales: (507) 455-7290  
Fax: (507) 455-7063

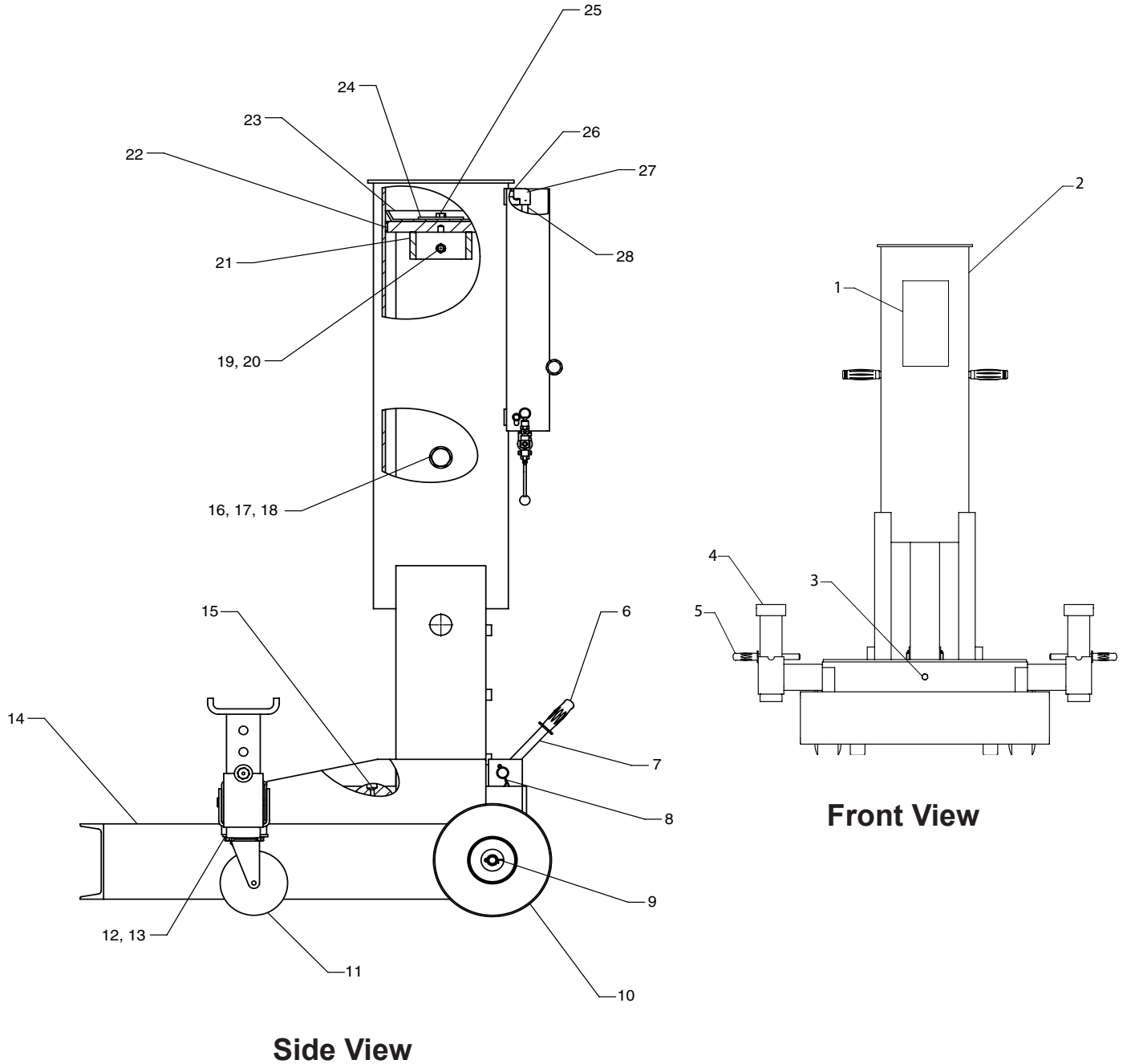
Form No. 100774

Parts List  
for:

1590

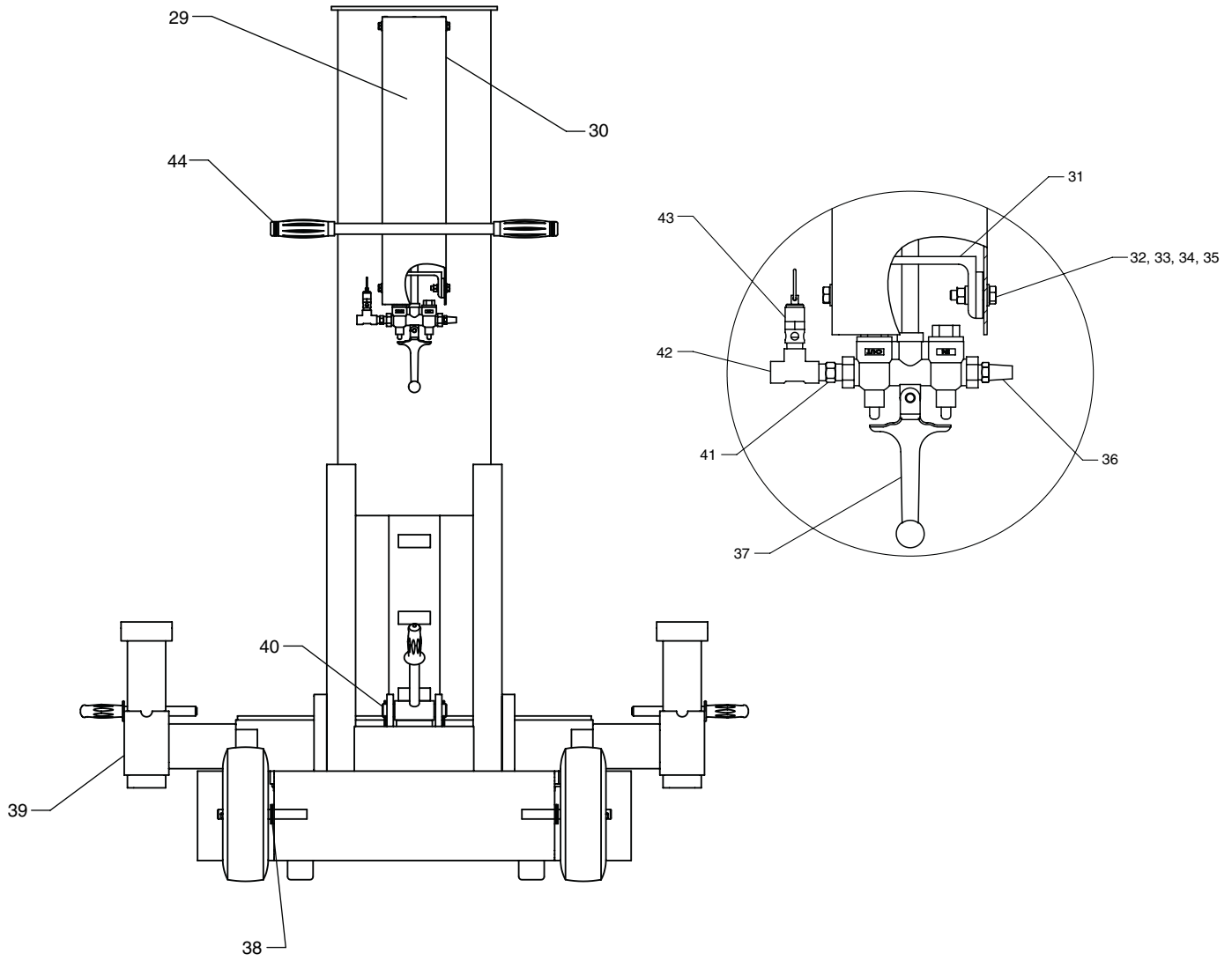
## Air Lift

Max. Capacity: 10 Tons at 200 PSI



Sheet No. 1 of 2

Issue Date: Rev. F, March 9, 2018



Item No.	Part No.	No. Req'd	Description
2	62269	1	Body Weldment
4	53586	2	Saddle Leg Weldment
14	62270	1	Stand Assembly
21	557783	1	Piston Weldment
22	217175	3 ft.	Bearing Strip
23	217164	1	U-cup Packing
28	217161	1	Long Nipple
30	62268	1	Cover Assembly
31	310325	1	Angle Bracket
37	217162	1	Air Valve
39	310317	2	Saddle Weldment
43	558289	1	Relief Valve (215 PSI)

**Caster Kit 564170**

Item No.	No. Req'd.	Description
11	2	6" Swivel Caster

**Hardware Kit 564171**

Item No.	No. Req'd.	Description
1	1	Logo Decal
3	1	Cap Screw (1/2-13 x 5" lg.)
12	8	Cap Screw (3/8-16 x 3/4" lg.)
13	8	Lockwasher (for 3/8" bolt)
15	1	Grease Fitting
16	1	Cap Screw (1"-8 x 5" lg.)
17	1	Nut (1"-8)
18	2	Flat Washer (for 1" bolt)
19	1	Cap Screw (1/2-13 x 6" lg.)
20	2	Nut (1/2-13)
24	1	Washer
25	1	Cap Screw (1/2-13 x 1-1/4" lg.)
26	1	Nipple Fitting
27	1	90° Elbow Fitting
44	2	Handle Grip

**Pivot Stop Handle Kit 564172**

Item No.	No. Req'd.	Description
6	1	Handle Grip
7	1	Pivot Stop
8	2	Cotter Pin
40	1	Pin

**Saddle Pin Set Kit 564173**

Item No.	No. Req'd.	Description
5	2	Saddle Pin

**Valve Hardware Kit 564174**

Item No.	No. Req'd.	Description
29	1	Warning Decal
32	4	Cap Screw (5/16-18 x 1-1/4" lg.)
33	4	Nut (5/16-18)
34	4	Lockwasher (for 5/16" bolt)
35	4	Plain Washer
36	1	Exhaust Muffler
41	1	Straight Fitting
42	1	Tee Fitting

**Wheel Kit 564175**

Item No.	No. Req'd.	Description
9	2	Cotter Pin
10	2	10.5" Wheel
38	*AR	Flat Washer (for 3/4" bolt)

\*as required; max of (4) washers per side

Refer to any operating instructions included with the product for detailed information about operation, testing, disassembly, reassembly, and preventive maintenance.

Items found in this parts list have been carefully tested and selected by OTC. **Therefore: Use only genuine OTC replacement parts.**

Additional questions can be directed to our Technical Service Dept.

**Get parts at [OTCparts.com](http://OTCparts.com)**