



655 Eisenhower Drive
 Owatonna, MN 55060 USA
 Phone: (507) 455-7000
 Tech. Serv.: (800) 533-6127
 Fax: (800) 955-8329
 Order Entry: (800) 533-6127
 Fax: (800) 283-8665
 International Sales: (507) 455-7223
 Fax: (507) 455-7063
 www.otctools.com

Form No. 102304

Application Charts &
 Installation Instructions
 for:

205058

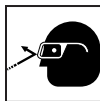
Detroit Diesel Mounting Plate Application Charts

(used with OTC #1750A Diesel Engine Repair Stand)

Mounting Plate No.	Used On
205058	53 Series: Inline, 6V & 8V 71 Series: Inline, 6V, 8V, & 12V 92 Series: 6V & 8V 8.2L: V8



WARNING: To prevent personal injury,



- Wear eye protection that meets ANSI Z87.1 and OSHA standards.



- Tighten all mounting screws and bolts before starting work on the engine.

- Use only SAE Grade 8 cap screws to mount the plate to the engine and to the engine support.

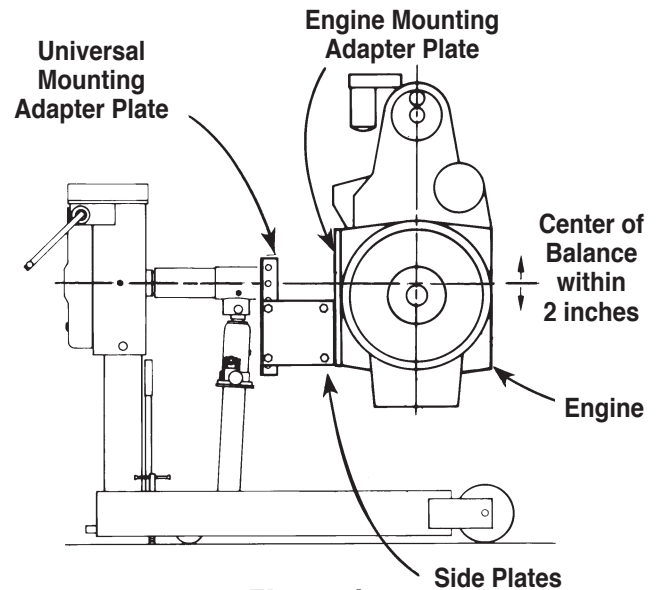


Figure 1

Installation Instructions

1. Bolt the mounting plate to the engine as shown in one of the following application charts.
2. Find the engine's center of balance (or greatest concentration of weight). *Note: This is usually about two inches above the center of the crankshaft. See Figure 1.*
3. Attach side plates to the engine mounting adapter plate, but leave the cap screws and nuts loose.
4. Align the engine (with side plates attached to the adapter plate) with the universal mounting adapter plate. Raise or lower the engine until its center of balance is in-line with the rotating shaft of the engine stand.
5. Align the closest tapped holes in the universal mounting adapter plate with the holes in the side plates. Securely tighten the side plates to the engine mounting plate and to the universal mounting adapter plate on the engine stand.

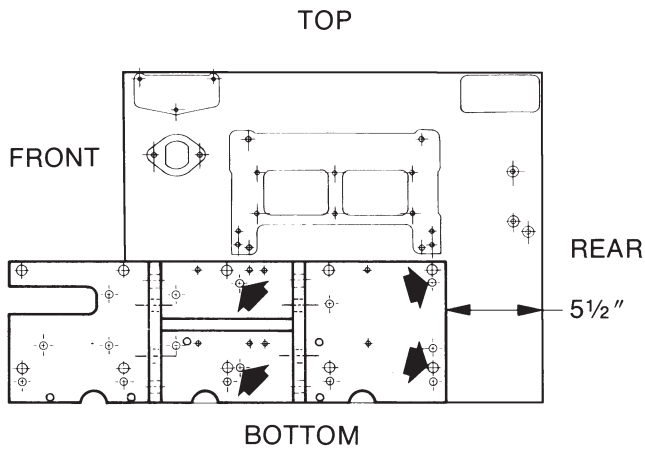
Fasteners	Description	Qty.	Part No.
Cap Screws	5/16-18 UNC x 1-1/4" lg.	4	19832
	3/8-16 UNC x 1-1/4" lg.	1	19828
	3/8-16 UNC x 1-1/2" lg.	10	19818
	3/8-16 UNC x 2-3/4" lg.	4	19834
	7/16-14 UNC x 1-3/4" lg.	8	19835
	M10 x 1.5 6g x 40 mm lg.	5	206660
Washers	5/16" Bolt Size	4	10230
	3/8" Bolt Size	10	10231
	7/16" Bolt Size	8	10232
Spacers	3/4" O.D. x 13/32" I.D. x 1-1/4" lg.	4	205093

© Bosch Automotive Service Solutions LLC

Sheet No. 1 of 3

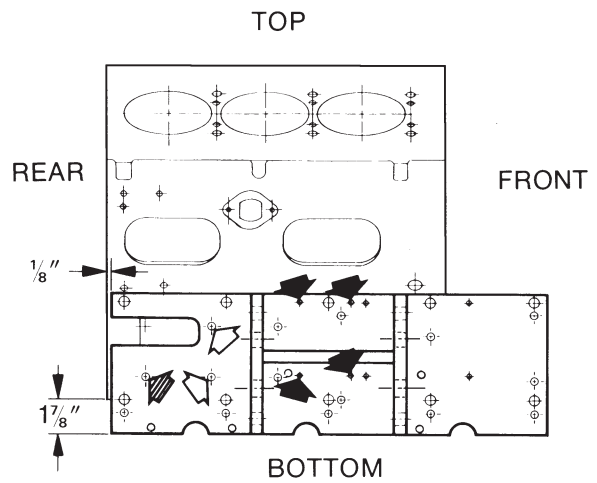
Issue Date: Rev. B, October 1, 2014

Model 4-53
Left Side Of Block



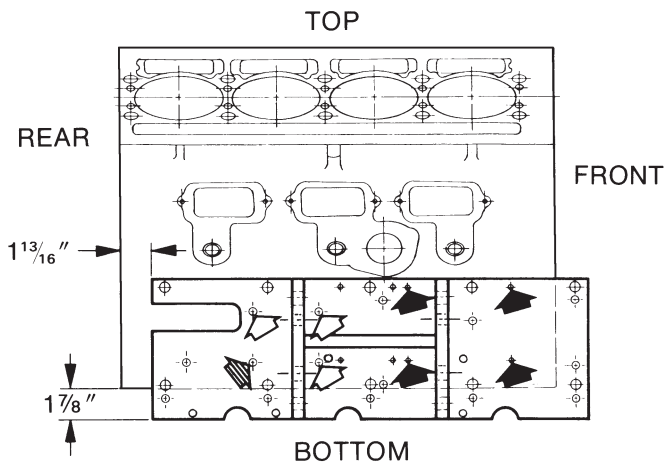
- (4) 3/8-16 UNC × 2 3/4" Lg. Cap Screw, Grade 8
- (4) 3/8" Washer
- (4) 3/4" O.D. × 1 1/4" Lg. Spacer

Model 6V-53
Right Side Of Block



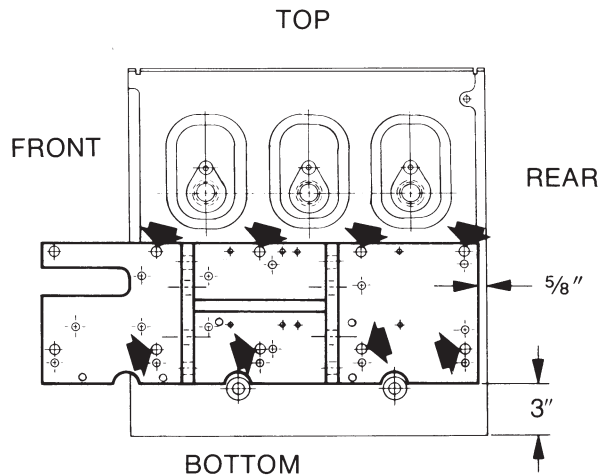
- (4) 5/16-18 UNC × 1 1/4" Lg. Cap Screw, Grade 8
- (4) 5/16" Washer
- (2) 3/8-16 UNC × 1 1/2" Lg. Cap Screw, Grade 8
- (2) 3/8" Washer
- (1) 3/8-16 UNC × 1 1/4" Lg. Cap Screw, Grade 8
- (1) 3/8" Washer

Model 8V-53
Right Side Of Block



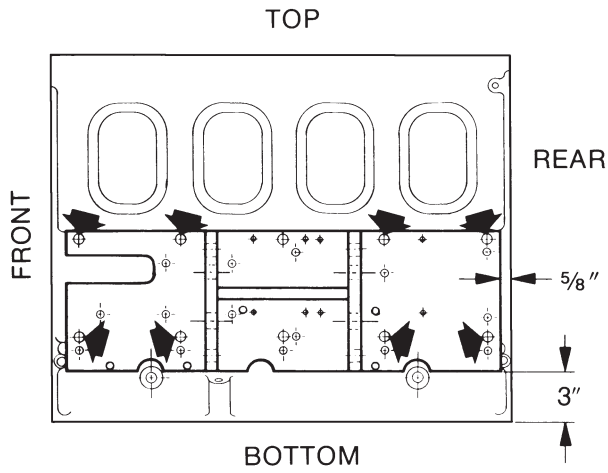
- (4) 5/16-18 UNC × 1 1/4" Lg. Cap Screw, Grade 8
- (4) 5/16" Washer
- (3) 3/8-16 UNC × 1 1/2" Lg. Cap Screw, Grade 8
- (3) 3/8" Washer
- (1) 3/8-16 UNC × 1 1/4" Lg. Cap Screw, Grade 8
- (1) 3/8" Washer

Model 3-71
Left Side Of Block



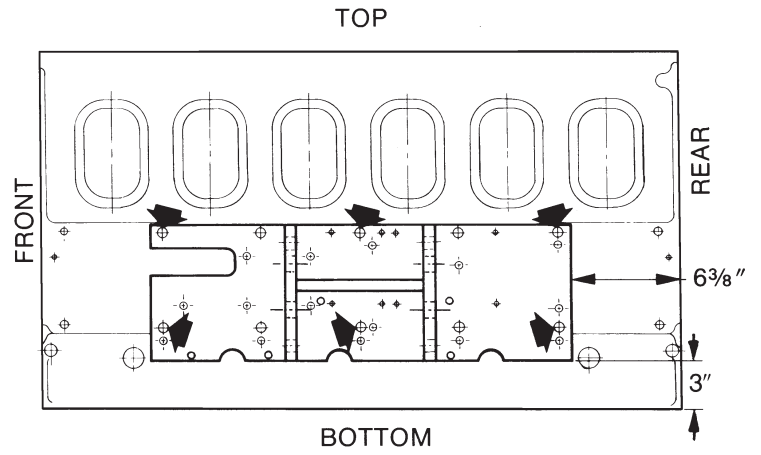
- (8) 7/16-14 UNC × 1 3/4" Lg. Cap Screw, Grade 8
- (8) 7/16" Washer

**Model 4-71
Left Side Of Block**



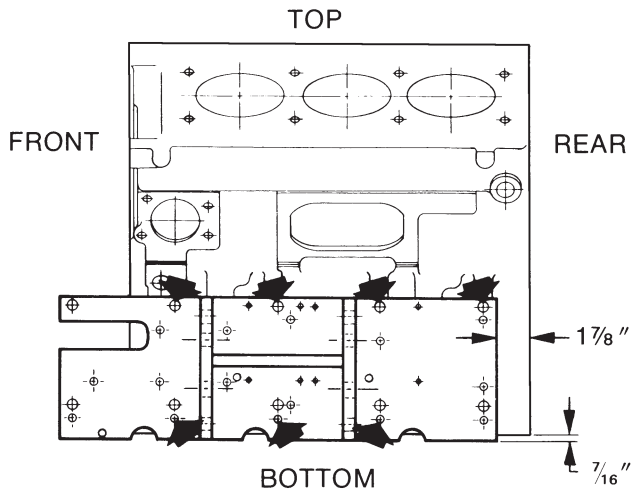
- (8) $\frac{7}{16}$ -14 UNC \times $1\frac{3}{4}$ " Lg. Cap Screw, Grade 8
- (8) $\frac{7}{16}$ " Washer

**Model 6-71
Left Side Of Block**



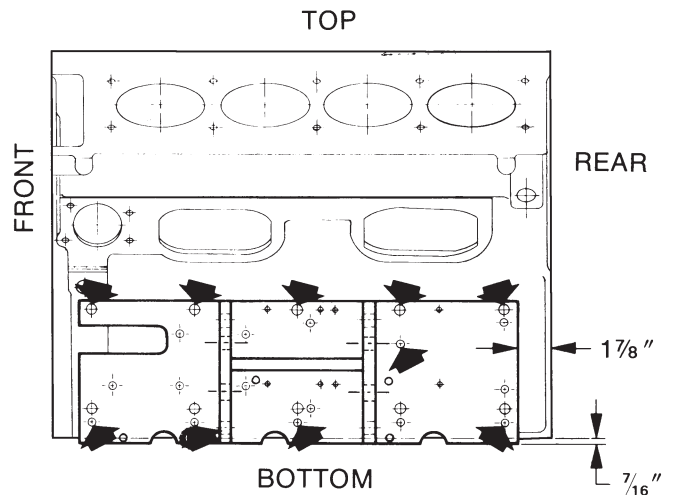
- (6) $\frac{7}{16}$ -14 UNC \times $1\frac{3}{4}$ " Lg. Cap Screw, Grade 8
- (6) $\frac{7}{16}$ " Washer

**Model 6V-71
Left Side Of Block**



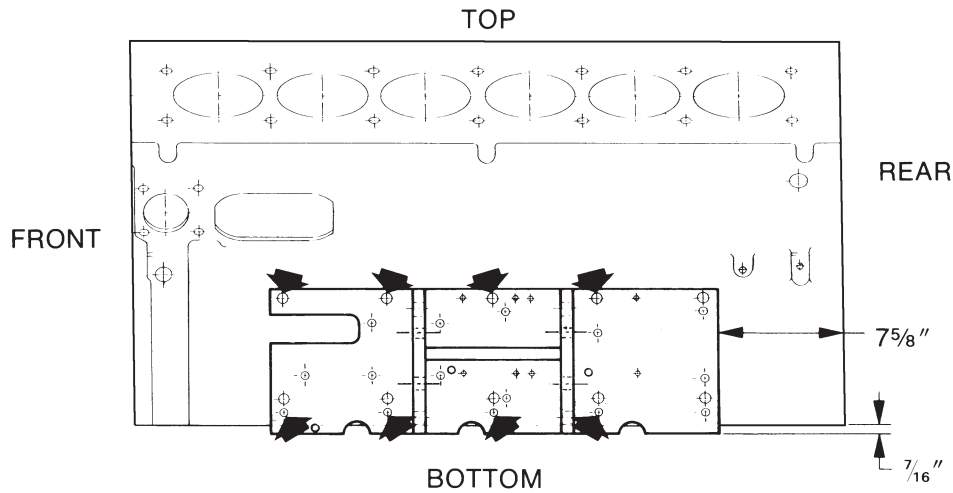
- (7) $\frac{3}{8}$ -16 UNC \times $1\frac{1}{2}$ " Lg. Cap Screw, Grade 8
- (7) $\frac{3}{8}$ " Washer

**Model 8V-71
Left Side Of Block**



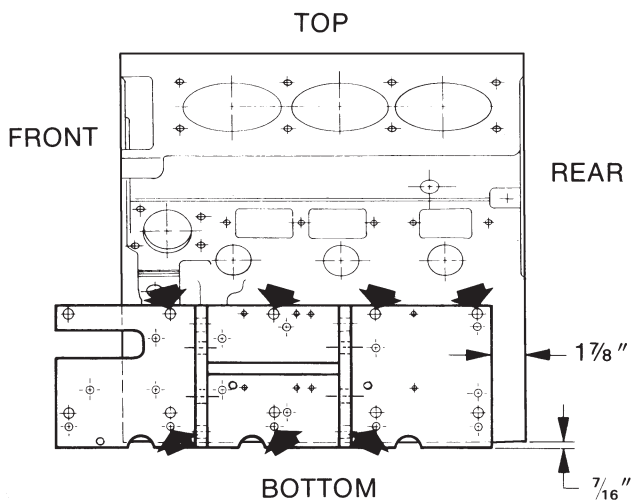
- (10) $\frac{3}{8}$ -16 UNC \times $1\frac{1}{2}$ " Lg. Cap Screw, Grade 8
- (10) $\frac{3}{8}$ " Washer

**Model 12V-71
Left Side Of Block**



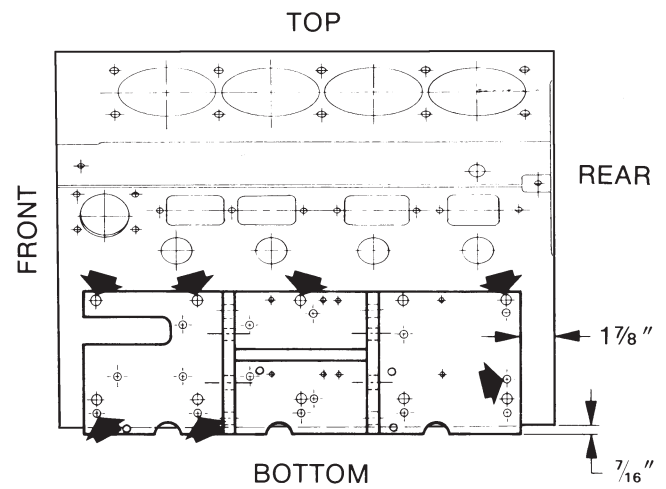
- (8) 3/8"-16 UNC × 1 1/2" Lg. Cap Screw, Grade 8
- (8) 3/8" Washer

**Model 6V-92
Left Side Of Block**



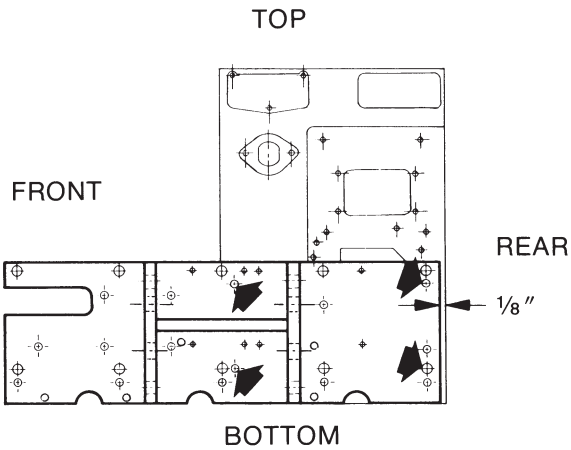
- (7) 3/8"-16 UNC × 1 1/2" Lg. Cap Screw, Grade 8
- (7) 3/8" Washer

**Model 8V-92
Left Side Of Block**



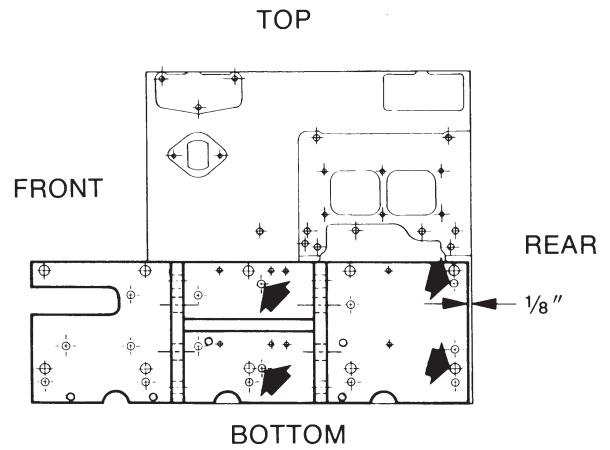
- (7) 3/8"-16 UNC × 1 1/2" Lg. Cap Screw, Grade 8
- (7) 3/8" Washer

**Model 2-53
Left Side Of Block**



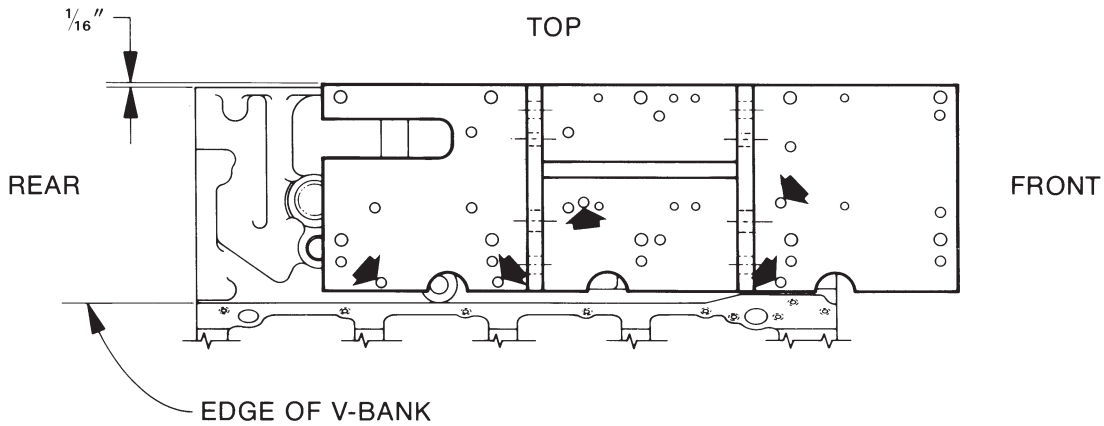
- ➔ (4) 3/8"-16 UNC × 2 3/4" Lg. Cap Screw, Grade 8
- (4) 3/8" Washer
- (4) 3/4" O.D. × 1 1/4" Lg. Spacer

**Model 3-53
Left Side Of Block**

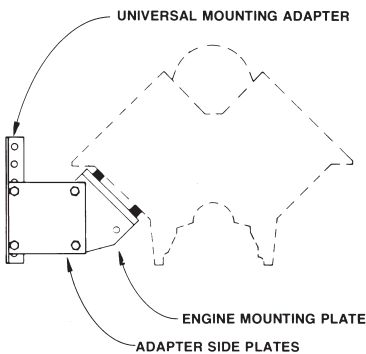


- ➔ (4) 3/8"-16 UNC × 2 3/4" Lg. Cap Screw, Grade 8
- (4) 3/8" Washer
- (4) 3/4" O.D. × 1 1/4" Lg. Spacer

**8.2 LITER V8
Right Side Of Block
(See Figure 2)**



- ➔ (5) M10 × 1.5 6g × 40mm Lg. Cap Screw, Grade 10.9
- (5) 3/8" Washer



Note: Attach Engine Mounting Plate to Universal Mounting Adapter Side Plates as shown.

Figure 2