



655 Eisenhower Drive  
 Owatonna, MN 55060 USA  
 Phone: (507) 455-7000  
 Tech. Serv.: (800) 533-6127  
 Fax: (800) 955-8329  
 Order Entry: (800) 533-6127  
 Fax: (800) 283-8665  
 International Sales: (507) 455-7223  
 Fax: (507) 455-7063  
 www.otctools.com

Form No. 102306

Application Charts &  
 Installation Instructions  
 for:

205060

## Caterpillar Mounting Plate Application Charts

(used with OTC #1750A Diesel Engine Repair Stand)

Mounting Plate No.	Used On
205060	1673, 3306, 1674, 1693, & 3406 Inline 6 1100, 3208, & 3408 V8



**WARNING:** To prevent personal injury,



- Wear eye protection that meets ANSI Z87.1 and OSHA standards.



- Tighten all mounting screws and bolts before starting work on the engine.

- Use only SAE Grade 8 cap screws to mount the plate to the engine and to the engine support.

### Installation Instructions

1. Bolt the mounting plate to the engine as shown in one of the following application charts.
2. Find the engine's center of balance (or greatest concentration of weight). *Note: This is usually about two inches above the center of the crankshaft.* See Figure 1.
3. Attach side plates to the engine mounting adapter plate, but leave the cap screws and nuts loose.
4. Align the engine (with side plates attached to the adapter plate) with the universal mounting adapter plate. Raise or lower the engine until its center of balance is in-line with the rotating shaft of the engine stand.
5. Align the closest tapped holes in the universal mounting adapter plate with the holes in the side plates. Securely tighten the side plates to the engine mounting plate and to the universal mounting adapter plate on the engine stand.

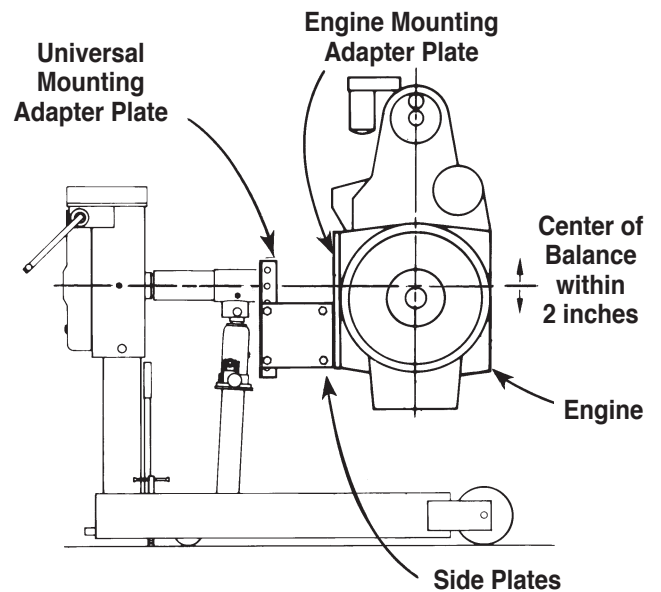


Figure 1

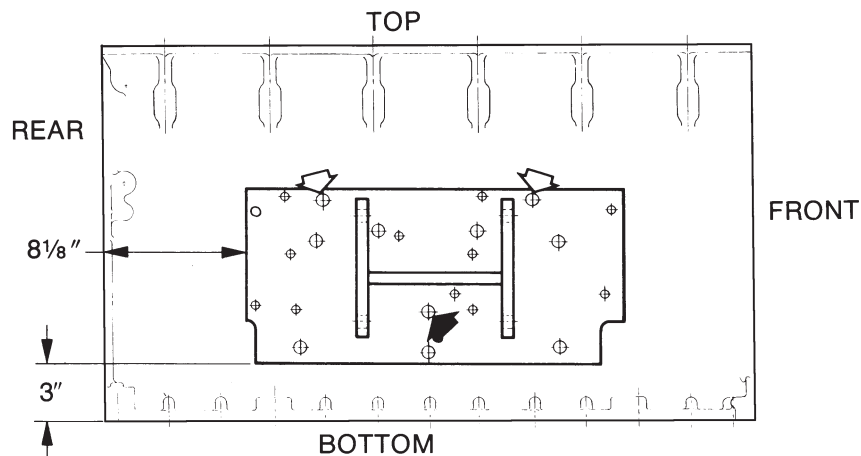
© Bosch Automotive Service Solutions LLC

Sheet No. 1 of 3

Issue Date: Rev. B, October 1, 2014

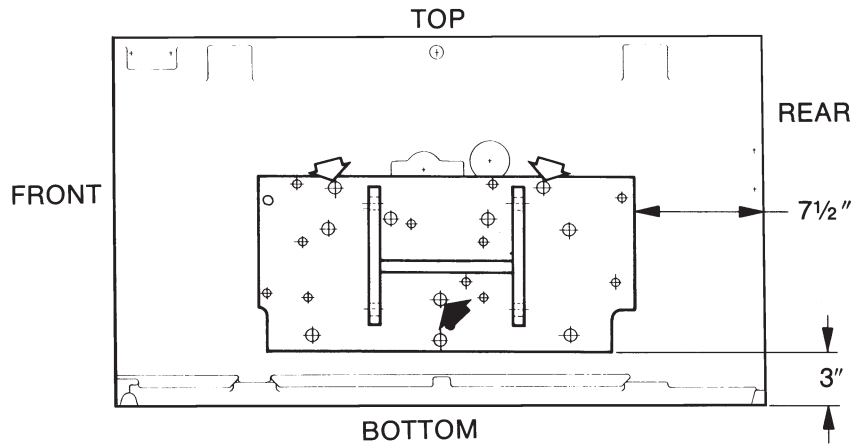
Fasteners	Description	Qty.	Part No.
Cap Screws	3/8-16 UNC x 1-1/2" lg.	3	19818
	3/8-16 UNC x 2-1/2" lg.	6	19810
	3/8-16 UNC x 3-1/4" lg.	3	19816
	1/2-13 UNC x 2-1/2" lg.	3	104452
	5/8-11 UNC x 1-1/2" lg.	1	19813
	5/8-11 UNC x 1-3/4" lg.	1	19819
	5/8-11 UNC x 3-3/4" lg.	2	19814
	5/8-11 UNC x 4" lg.	2	19815
	5/8-18 UNF x 2-3/4" lg.	2	19820
	5/8-18 UNF x 5" lg.	2	19817
Washers	3/8" Bolt Size	6	10231
	1/2" Bolt Size	3	10586
	5/8" Bolt Size	4	10235
Spacers	3/4" O.D. x 13/32" I.D. x 1-1/4" lg.	6	205093
	3/4" O.D. x 13/32" I.D. x 1-13/16" lg.	3	205092
	1" O.D. x 11/16" I.D. x 11/16" lg.	1	204708
	1-1/4" O.D. x 21/32" I.D. x 1" lg.	2	205095
	1-1/4" O.D. x 21/32" I.D. x 2-3/16" lg.	2	205096
	1-1/4" O.D. x 21/32" I.D. x 2-5/16" lg.	2	205098
	1-1/4" O.D. x 21/32" I.D. x 3-7/16" lg.	2	205097

**MODELS 1673 & 3306  
Right Side of Block**



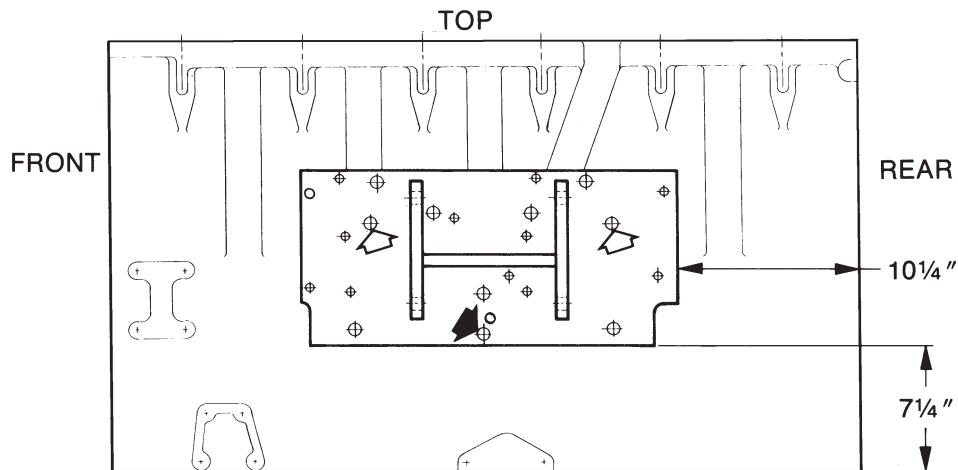
- ➡ (1) 5/8-11 UNC × 1 1/2" Lg. Cap Screw, Grade 8
- (1) 5/8" Washer
- ➡ (2) 5/8-11 UNC × 3 3/4" Lg. Cap Screw, Grade 8
- (2) 5/8" Washer
- (2) 1 1/4" O.D. × 2 3/16" Lg. Spacer

**MODEL 1674**  
**Left Side of Block**



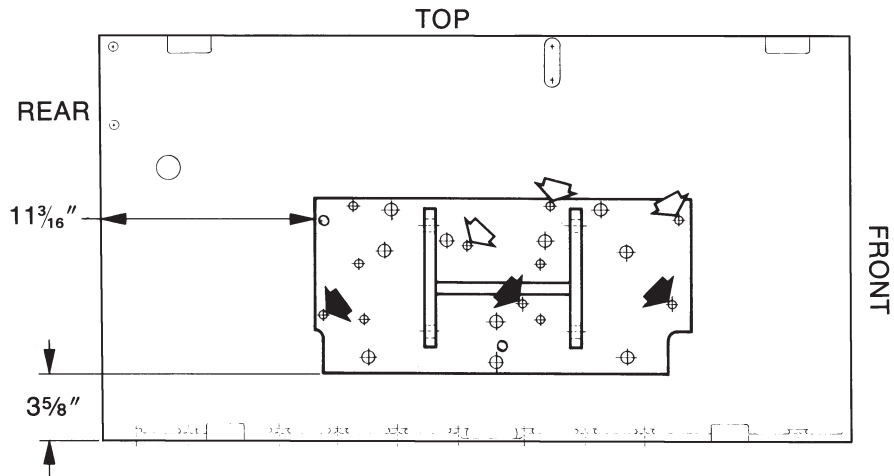
- (1)  $\frac{5}{8}$ -11 UNC  $\times$  1 $\frac{3}{4}$ " Lg. Cap Screw, Grade 8
- (1)  $\frac{5}{8}$ " Washer
- (2)  $\frac{5}{8}$ -11 UNC  $\times$  4" Lg. Cap Screw, Grade 8
- (2)  $\frac{5}{8}$ " Washer
- (2) 1 $\frac{1}{4}$ " O.D.  $\times$  2 $\frac{3}{16}$ " Lg. Spacer

**MODEL 1693**  
**Left Side of Block**



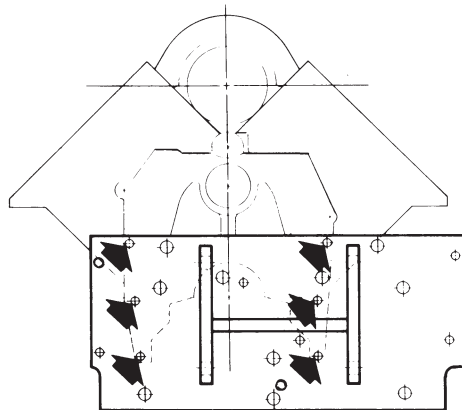
- (1)  $\frac{5}{8}$ -11 UNC  $\times$  1 $\frac{3}{4}$ " Lg. Cap Screw, Grade 8
- (1)  $\frac{5}{8}$ " Washer
- (2)  $\frac{5}{8}$ -11 UNC  $\times$  4" Lg. Cap Screw, Grade 8
- (2)  $\frac{5}{8}$ " Washer
- (2) 1 $\frac{1}{4}$ " O.D.  $\times$  2 $\frac{5}{16}$ " Lg. Spacer

**MODEL 3406**  
**Right Side of Block**



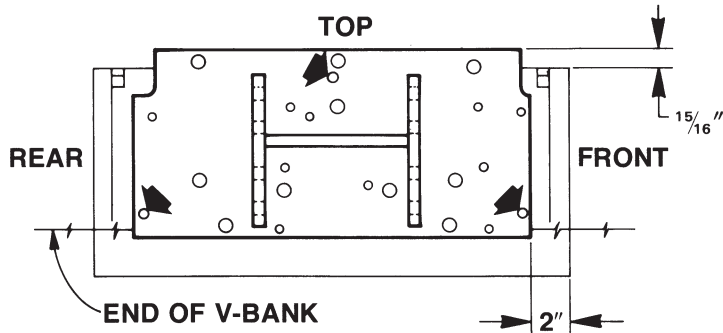
- ➡ (3)  $\frac{3}{8}$ -16 UNC  $\times$  1 $\frac{1}{2}$ " Lg. Cap Screw, Grade 8
- ➡ (3)  $\frac{3}{8}$ " Washer
- ➡ (3)  $\frac{3}{8}$ -16 UNC  $\times$  3 $\frac{1}{4}$ " Lg. Cap Screw, Grade 8
- ➡ (3)  $\frac{3}{8}$ " Washer
- ➡ (3)  $\frac{3}{4}$ " O.D.  $\times$  1 $\frac{13}{16}$ " Lg. Spacer

**MODEL 1100**  
**Rear of Block**

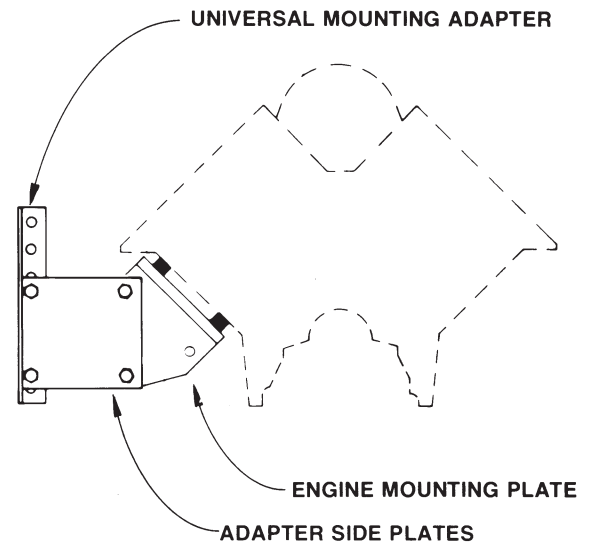


- ➡ (6)  $\frac{3}{8}$ -16 UNC  $\times$  2 $\frac{1}{2}$ " Lg. Cap Screw, Grade 8
- ➡ (6)  $\frac{3}{8}$ " Washer
- ➡ (6)  $\frac{3}{4}$ " O.D.  $\times$  1 $\frac{1}{4}$ " Lg. Spacer

**MODEL 3208**  
**Right Side of Block**  
 (See Figure 2)



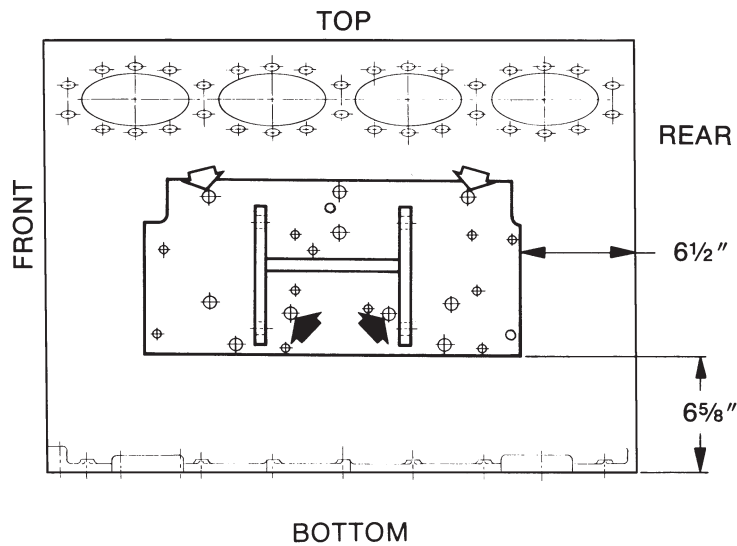
- ➡ (3) 1/2-13 UNC × 2 1/2" Lg. Cap Screw, Grade 8
- ➡ (3) 1/2" Washer
- ➡ (1) 1" O.D. × 1 1/16" Lg. Spacer
- ➡ (2) 1 1/4" O.D. × 1" Lg. Spacer



**FIGURE 2**

*Note: Attach the Engine Mounting Plate to the Universal Mounting Adapter Side Plates as shown in Figure 2.*

**MODEL 3408**  
**Left Side of Block**



- ➡ (2) 5/8-18 UNF × 2 3/4" Lg. Cap Screw, Grade 8
- ➡ (2) 5/8" Washer
- ➡ (2) 1 1/4" O.D. × 1" Lg. Spacer
- ➡ (2) 5/8-18 UNF × 5" Lg. Cap Screw, Grade 8
- ➡ (2) 5/8" Washer
- ➡ (2) 1 1/4" O.D. × 3 7/16" Lg. Spacer