



655 EISENHOWER DRIVE
 OWATONNA, MN 55060 USA
 PHONE: (507) 455-7000
 TECH. SERV.: (800) 533-6127
 FAX: (800) 955-8329
 ORDER ENTRY: (800) 533-6127
 FAX: (800) 283-8665
 INTERNATIONAL SALES: (507) 455-7223
 FAX: (507) 455-7063

Form No. 102383

Assembly &
 Operating Instructions
 for:

7118

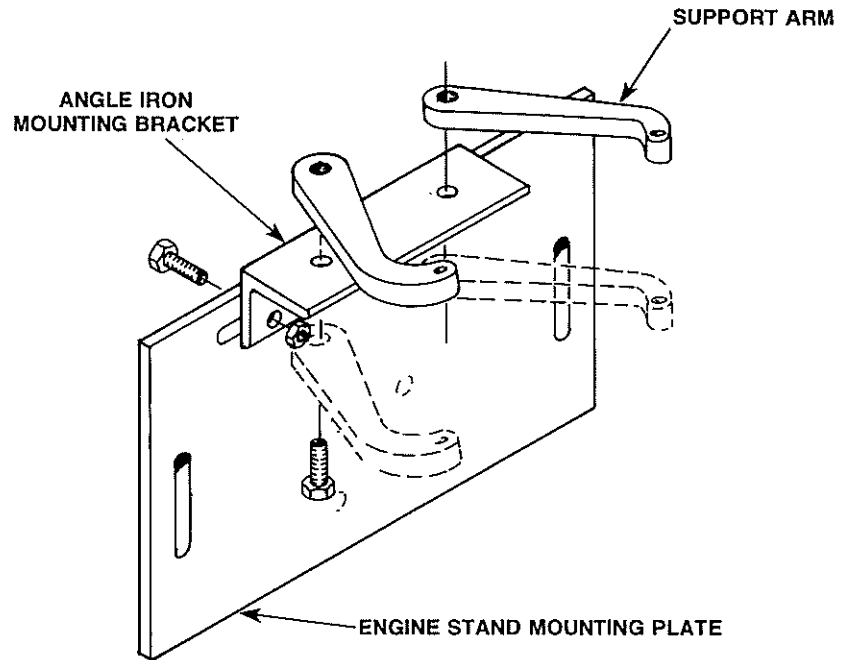
Transmission Adapter Kit



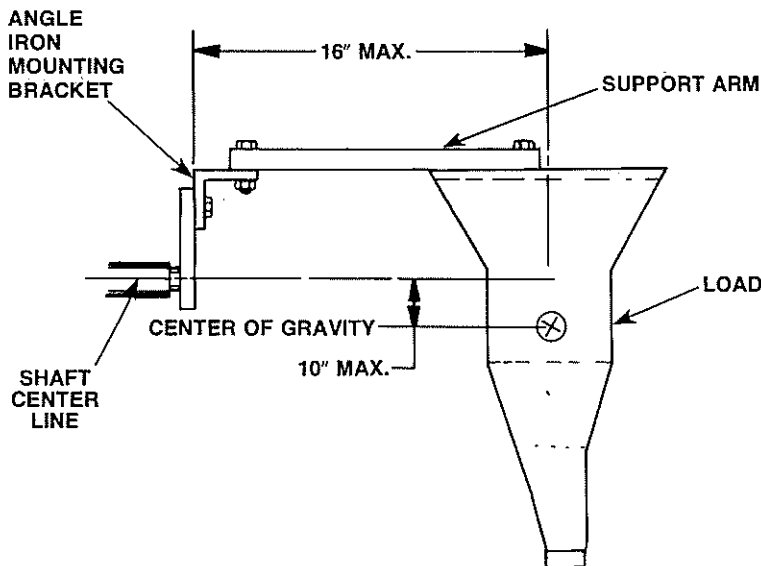
CAUTION: This adapter should only be used by qualified mechanics familiar with this type of equipment! Use only Grade 8 cap screws to mount the load to the support arms!

ASSEMBLY (See illustration at right)

1. Secure the angle iron mounting bracket to the engine stand mounting plate using (2) 1/2"-13 Dia. cap screws provided.
2. Mount the wide end of the support arms to the angle iron mounting bracket using (2) 5/8"-11 Dia. x 1 1/2" cap screws. The support arms may be fastened to either the top or bottom surface of the angle iron mounting bracket.



MOUNTING PROCEDURE

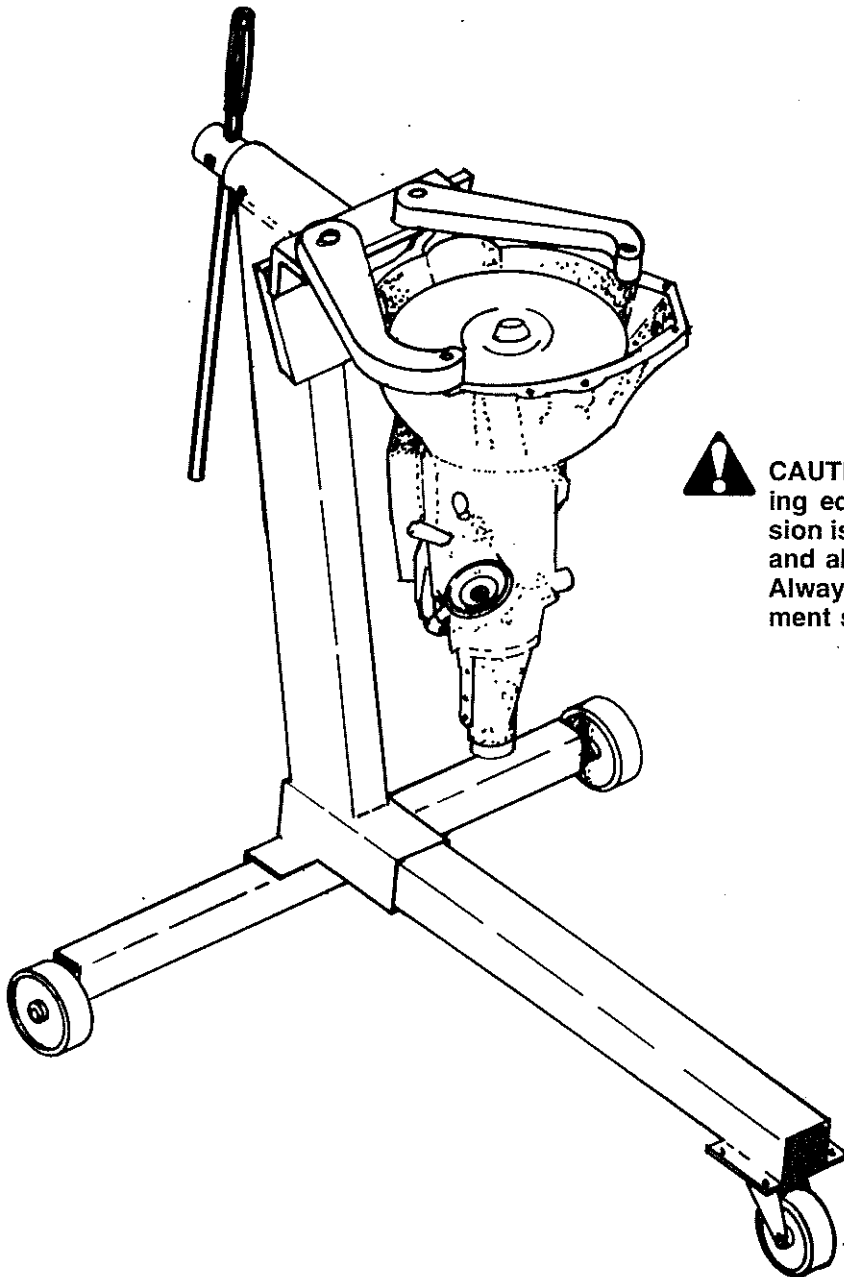


CAUTION: This adapter kit is designed to be used with loads not exceeding 250 lbs. At the maximum rated capacity of 250 lbs. the load center of gravity must not extend more than 16" from the angle iron mounting bracket face. Always position the load as close as possible to the engine stand shaft center line. The load center of gravity must be within 10" of the engine stand shaft center line at all times! See the illustration at left.

Sheet No. 1 of 1

Issue Date: Rev. B, December 18, 2017

1. Maneuver the transmission towards the smaller ends of the mounting bracket support arms. Center the weight of the transmission over the engine stand.
2. Secure the transmission to the mounting bracket support arms using (2) Grade 8 cap screws.



CAUTION: Before releasing the overhead lifting equipment make sure that the transmission is securely mounted on the engine stand and all mounting hardware is firmly torqued. Always release the overhead lifting equipment slowly!