



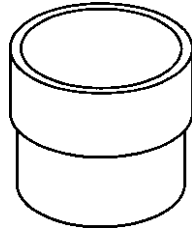
SPX Corporation
 655 Eisenhower Drive
 Owatonna, MN 55060-0995 USA
 Phone: (507) 455-7000
 Tech. Serv.: (800) 533-6127
 Fax: (800) 955-8329
 Order Entry: (800) 533-6127
 Fax: (800) 283-8665
 International Sales: (507) 455-7290
 Fax: (507) 455-7063

Form No. 106192

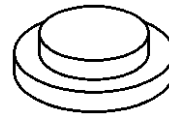
Parts List &
 Operating Instructions
 for:

7996

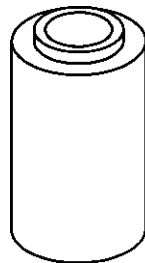
Honda Lower Ball Joint Adapters



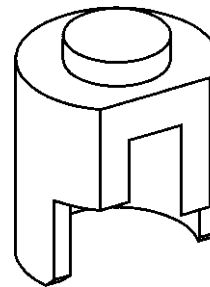
314425
 Receiving Cup



314428
 Installing Adapter

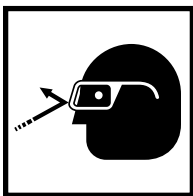


314426
 Removing Adapter



314427
 Receiving Cup

Safety Precautions



Caution: To prevent personal injury:

- Wear protective eyewear that meets ANSI Z87.1 and OSHA standards.
- Before performing any repairs on a vehicle, block all wheels to prevent movement.
- Check the final alignment of tooling and components before applying pressure.

Ball Joint Removal and Installation

This tool set is designed for use on most cars and light trucks that have press-fit type ball joints. It will help the user remove and install ball joints without the need to remove the control arm from the vehicle.

NOTE: Some cars and light trucks may have the upper ball joint spot-welded to the control arm. The weld must be cut before attempting to remove the ball joint.

Refer to any operating instructions included with the product for detailed information about operation, testing, disassembly, reassembly, and preventive maintenance.

Items found in this parts list have been carefully tested and selected by OTC. **Therefore: Use only OTC replacement parts!**

Additional questions can be directed to our Technical Services Dept. at 1-800-533-6127.

© SPX Corporation

Sheet No. 1 of 1

Issue Date: 6-22-98

Removal

1. Assemble the ball joint press over the control arm as shown in Figure 1.
2. Tighten the forcing screw until the removing adapter contacts the control arm. Check the alignment of all tooling and components, and continue tightening the forcing screw until the ball joint is removed.

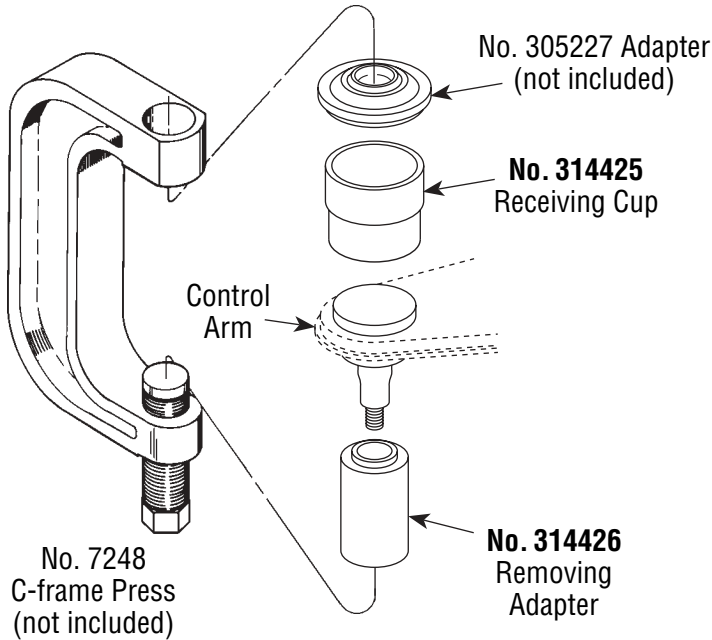


Figure 1
1986-89 Accord
1988-94 Civic, CRX
1993-94 del Sol
1983-94 Prelude

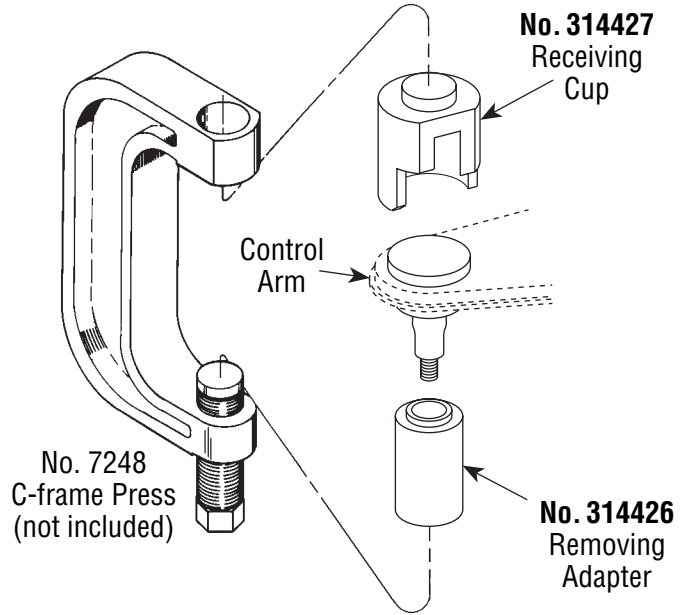


Figure 1
1990-97 Accord

Installation

1. Clean the control arm and coat the I.D. with a suitable lubricant.
2. Insert the replacement ball joint as straight as possible into the vehicle control arm.
3. Assemble the ball joint press components as shown in Figure 2, and tighten the forcing screw. Check the alignment of all tooling and components, and continue tightening the forcing screw until the ball joint is firmly seated.

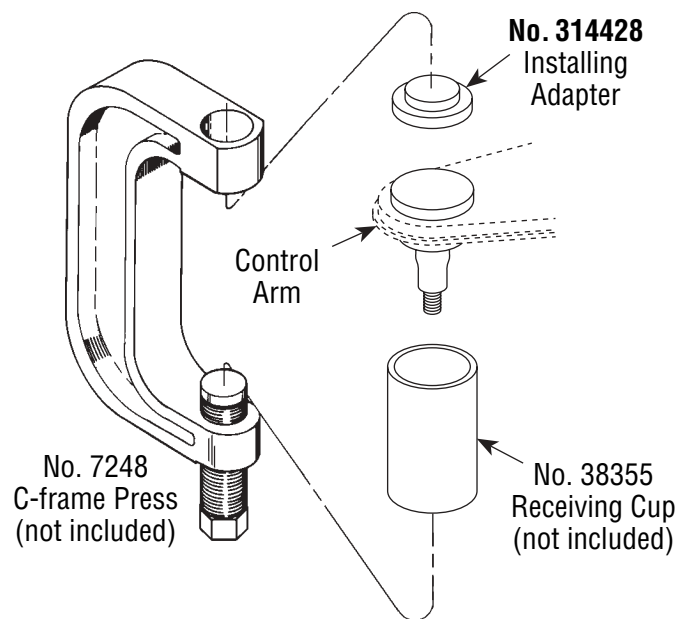


Figure 2