



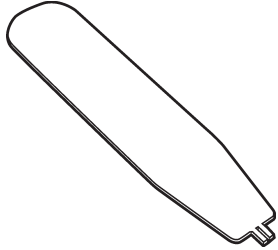
655 Eisenhower Drive
Owatonna, MN 55060 USA
Phone: (507) 455-7000
Tech. Serv.: (800) 533-6127
Fax: (800) 955-8329
Order Entry: (800) 533-6127
Fax: (800) 283-8665
International Sales: (507) 455-7290
Fax: (507) 455-7063

Form No. 106398

Operating Instructions
for:

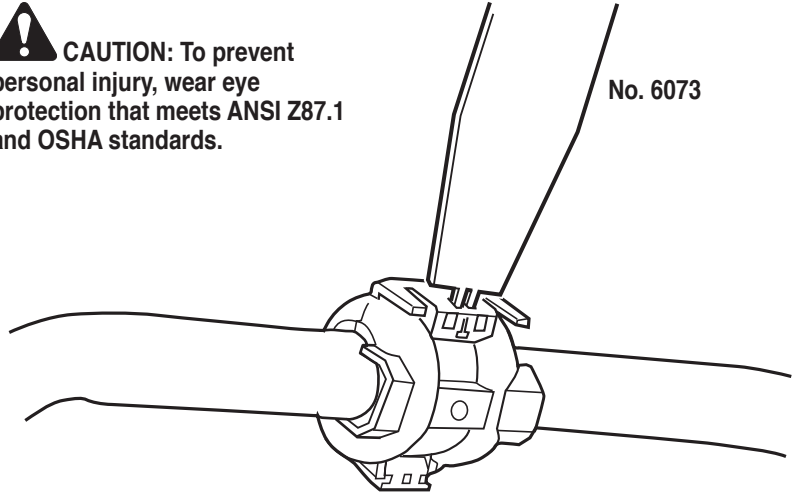
6073

Toyota A/C Line Disconnect Tool



CAUTION: To prevent personal injury, wear eye protection that meets ANSI Z87.1 and OSHA standards.

1. Rotate the plastic fitting on the air conditioning line to expose the two release holes in the fitting.
2. Insert the No. 6073 Disconnect Tool into the holes, and push on the tool to release the fitting so it can be opened.



No. 6073

© Bosch Automotive Service Solutions LLC
Rev. B August 4, 2014



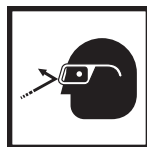
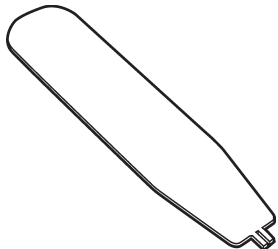
655 Eisenhower Drive
Owatonna, MN 55060 USA
Phone: (507) 455-7000
Tech. Serv.: (800) 533-6127
Fax: (800) 955-8329
Order Entry: (800) 533-6127
Fax: (800) 283-8665
International Sales: (507) 455-7290
Fax: (507) 455-7063

Form No. 106398

Operating Instructions
for:

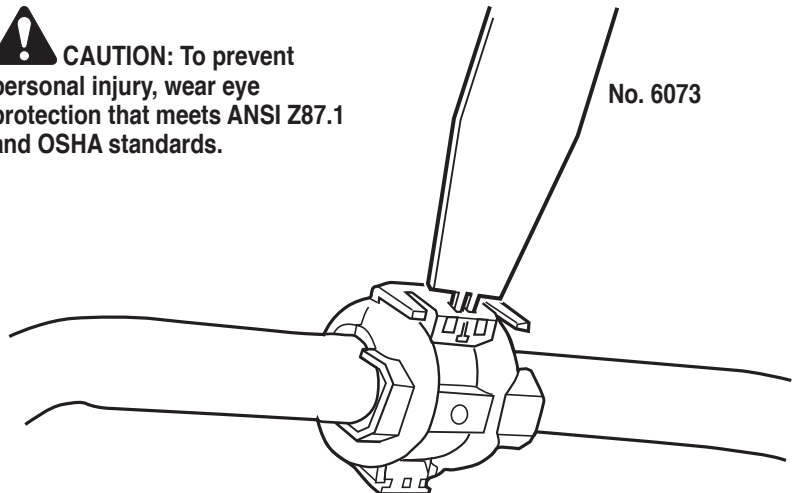
6073

Toyota A/C Line Disconnect Tool



CAUTION: To prevent personal injury, wear eye protection that meets ANSI Z87.1 and OSHA standards.

1. Rotate the plastic fitting on the air conditioning line to expose the two release holes in the fitting.
2. Insert the No. 6073 Disconnect Tool into the holes, and push on the tool to release the fitting so it can be opened.



No. 6073

© Bosch Automotive Service Solutions LLC
Rev. B August 4, 2014