



655 Eisenhower Drive
 Owatonna, MN 55060 USA
 Phone: (507) 455-7000
 Tech. Serv.: (800) 533-6127
 Fax: (800) 955-8329
 Order Entry: (800) 533-6127
 Fax: (800) 283-8665
 International Sales: (507) 455-7223
 Fax: (507) 455-7063

Form No. 520561

**Parts List &
 Assembly Instructions**
 for:

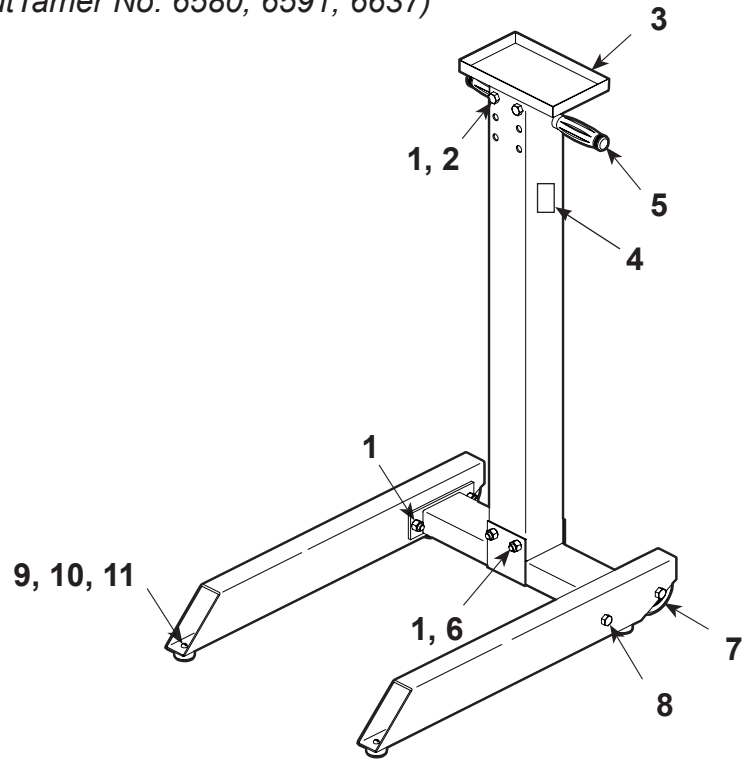
6582

StrutTamer II Stand

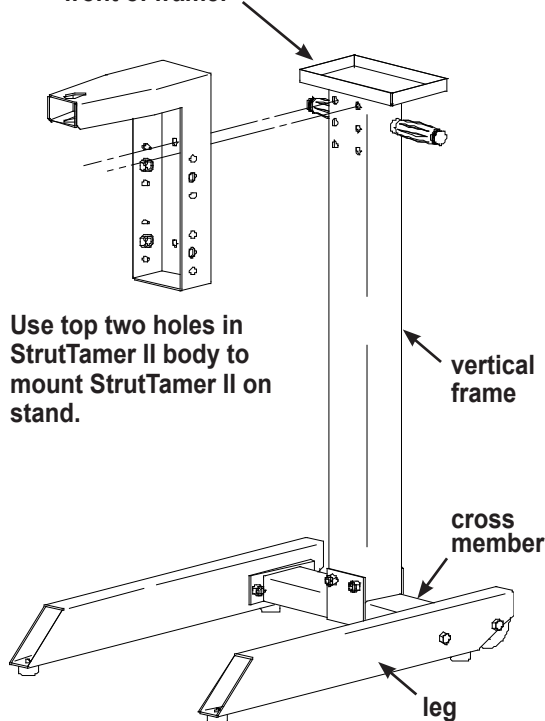
(designed for OTC StrutTamer No. 6580, 6591, 6637)

Parts List

Item No.	Part No.	Qty.	Description
1	527697	8	Hex Locknut (M12 x 1.75)
2	218920	2	Hex Hd. Cap Screw
3	223328	1	Tool Tray
4	526433	1	Decal
5	527573	2	Flex Grip Handle
6	527698	2	Hex Hd. Cap Screw (M12 x 1.75 x 120)
7	205727	2	Wheel (4" dia.)
8	212336	4	Cap Screw
9	223270	4	Rubber Bumper
10	527700	4	Hex Nut (1/4-20 UNC)
11	527699	4	Machine Screw



Install tray offset to back of stand and flush with front of frame.



Assembly Instructions

(Item numbers refer to the parts list.)

1. Insert machine screws (11) through rubber bumpers (9), and use hex nuts (10) to attach rubber bumpers to legs.
2. Attach legs to cross member using cap screws (8) and hex locknuts (1). Use cap screws (8) and locknuts (1) to attach wheels (7) to legs.
3. Position vertical frame between tangs in cross member, with StrutTamer II mounting holes toward front of stand as shown. Use cap screws (6) and locknuts (1) to attach frame to tangs.
4. There are three pairs of mounting holes which may be used to mount the StrutTamer II to the mobile stand. Select one pair which would hold the StrutTamer II at the desired height after assembly. Use cap screws (2) and locknuts (1) to assemble StrutTamer II to stand.
5. The tool tray (3) is designed to be offset to the back of the stand, and flush with the front of the frame, so it doesn't interfere with the StrutTamer II. Install tool tray by pushing mounting tangs into frame.