



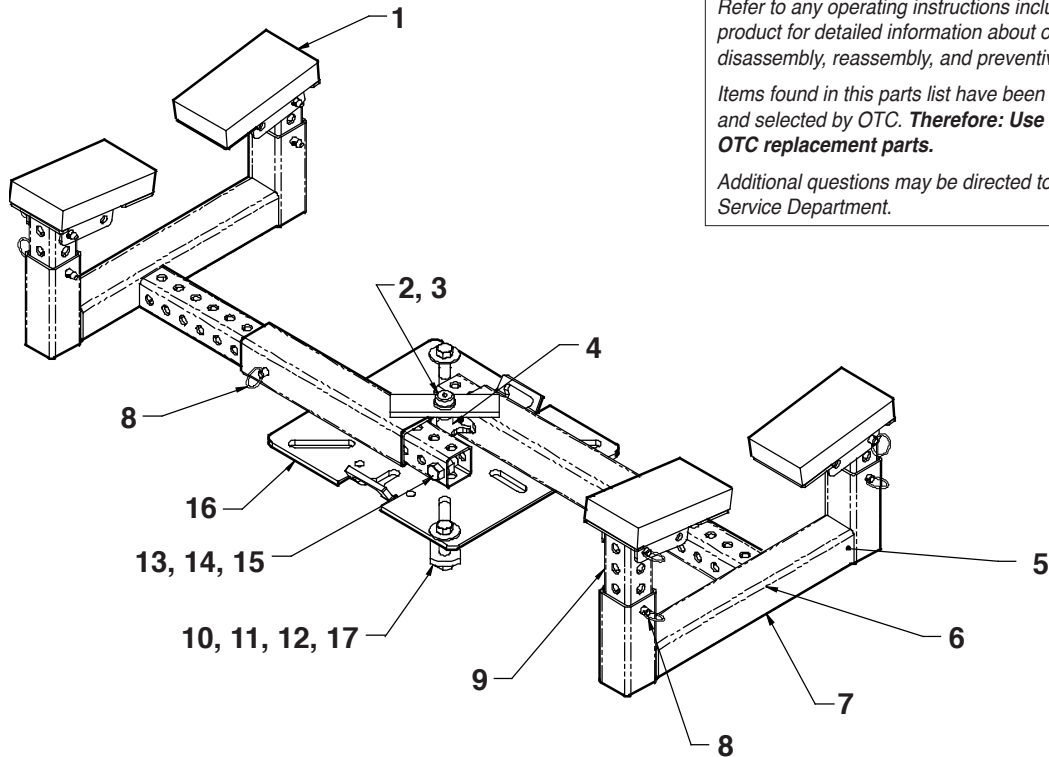
655 Eisenhower Drive
 Owatonna, MN 55060 USA
 Phone: (507) 455-7000
 Tech. Serv.: (800) 533-6127
 Fax: (800) 955-8329
 Order Entry: (800) 533-6127
 Fax: (800) 283-8665
 International Sales: (507) 455-7223
 Fax: (507) 455-7063

Form No. 526843

**Parts List &
 Operating Instructions**
 for:

1758

Fuel Tank Handler



Refer to any operating instructions included with the product for detailed information about operation, testing, disassembly, reassembly, and preventive maintenance.

Items found in this parts list have been carefully tested and selected by OTC. **Therefore: Use only genuine OTC replacement parts.**

Additional questions may be directed to our Technical Service Department.

Parts List

Item No.	Part No.	Qty.	Description	Item No.	Part No.	Qty.	Description
1	525416	4	Pad	14	10206	1	Hex Nut (7/16-14")
2	214935	1	Hex Socket Hd. Shoulder Screw	15	10248	1	Lock Washer (for 7/16" bolt)
3	10249	1	Lock Washer	16	525414	1	Base
4	529451	1	Gear / Sprocket Assembly	*17	10232	2	Washer
5	16473	1	Patent Pending Decal	Parts Included but Not Shown			
6	526842	1	Logo / Warning Decal	104031	1	Warranty/Repair Station List	
7	525419	2	Leg	526847	1	Nylon Strap Assembly (1 inch wide)	
8	18658	9	Cotterless Hitch Pin	10080	2	Hex Hd. Cap Screw (1/2-13 x 1.250")	
9	525420	4	Tube	10208	2	Hex Nut (1/2-13)	
*10	10206	2	Nut	10052	2	Hex Hd. Cap Screw (3/8-16 x 1.250")	
*11	19835	2	Bolt	10204	2	Hex Nut (3/8-16)	
*12	533838	2	Metal Strap				
13	19874	1	Hex Hd. Cap Screw (7/16-14 x 1")				

* These parts are used only if you mount the fuel tank handler to an OTC 1728 transmission jack head.

Safety Precautions

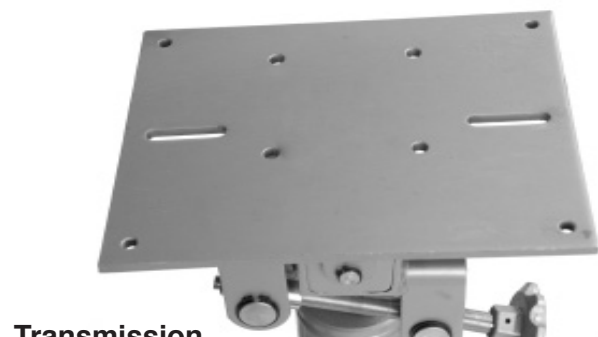


- ⚠ DANGER:** To avoid personal injury or death resulting from fuel tank explosion or fire,
- Wear eye protection that meets ANSI Z87.1 and OSHA standards.
 - Read and follow the fuel tank removal procedure outlined in the appropriate vehicle service manual.
 - Have a Class B fire extinguisher available when working on fuel tanks. Observe normal precautions for working with flammable liquids: no smoking, open flames, electrical sparks, etc.
 - Drain the fuel tank into a portable, grounded, fuel storage container prior to removal.
 - Install the safety strap once the fuel tank has been removed from the vehicle. To prevent tipping, completely retract the jack before transporting a fuel tank.

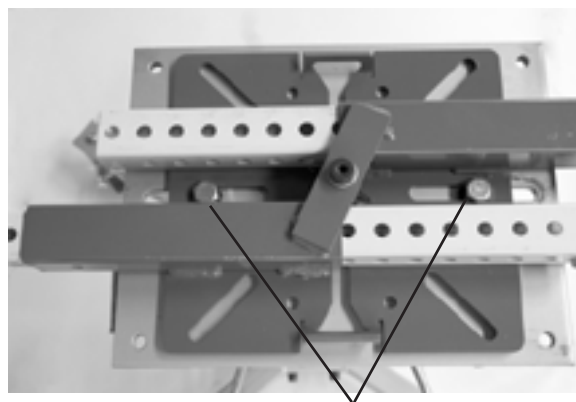
Assemble Handler to a Transmission Jack

Attaching the handler to OTC Stinger No. 1793A or other plate-type transmission jacks:

1. Center the fuel tank handler on the mounting plate of a transmission jack, and use the bolts and nuts provided to attach the handler to the plate. See Figure 1.



Transmission
Jack
Mounting Plate



Bolts & Nuts
(1/2" or 3/8")

Figure 1

2. Assemble pads using cotterless hitch pins provided. See Figure 2.

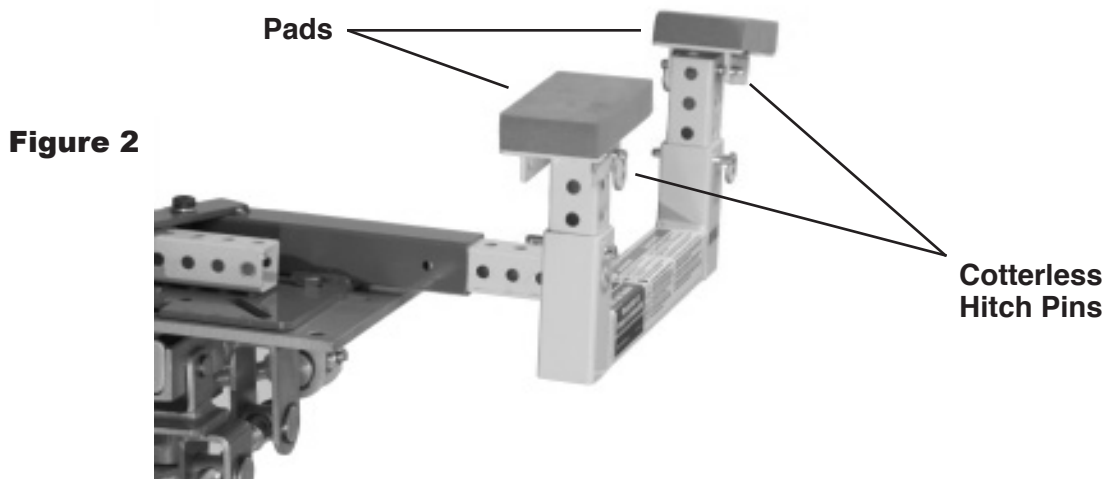
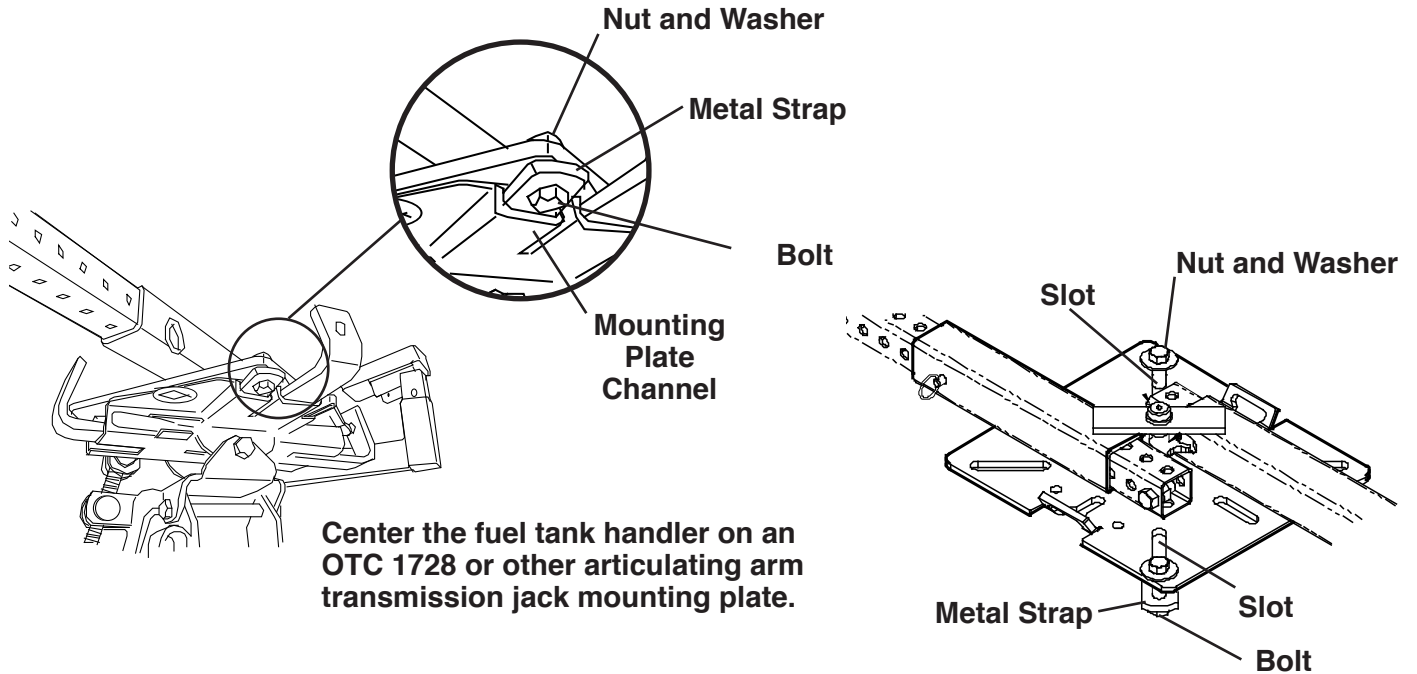


Figure 2

Attaching the handler to an OTC 1728 or other articulating arm transmission jack:

1. Center the fuel tank handler on the transmission jack mounting plate. Attach the fuel tank handler to the mounting plate by inserting the two metal straps provided into the mounting plate channels as illustrated.
2. Insert a bolt through each metal strap and the slot above it on the fuel tank handler; fasten the bolt in place with a washer and a nut.



Operating Instructions

1. Follow the appropriate vehicle service manual instructions to prepare the fuel tank for removal. Drain the fuel tank into a portable, grounded, fuel storage container.
2. Center the fuel tank handler under the fuel tank.
3. Make adjustments to the fuel tank handler (as shown) in a manner that will best support the fuel tank. Use the tilt feature on the jack also, if applicable.
4. Follow the appropriate vehicle service manual instructions to remove the tank from the vehicle. Lower the fuel tank onto the pads of the handler, keeping the tank as level as possible.
5. Attach the nylon strap assembly over the fuel tank and to the ears on the handler base. Adjust the buckle to tighten the strap.
6. Completely retract the jack before transporting the fuel tank.

