



SPX Corporation  
655 Eisenhower Drive  
Owatonna, MN 55060-0995 USA  
Phone: (507) 455-7000  
Tech. Serv.: (800) 533-6127  
Fax: (800) 955-8329  
Order Entry: (800) 533-6127  
Fax: (800) 283-8665  
International Sales: (507) 455-7223  
Fax: (507) 455-7063

Form No. 528994

Parts List &  
Operating Instructions  
for:

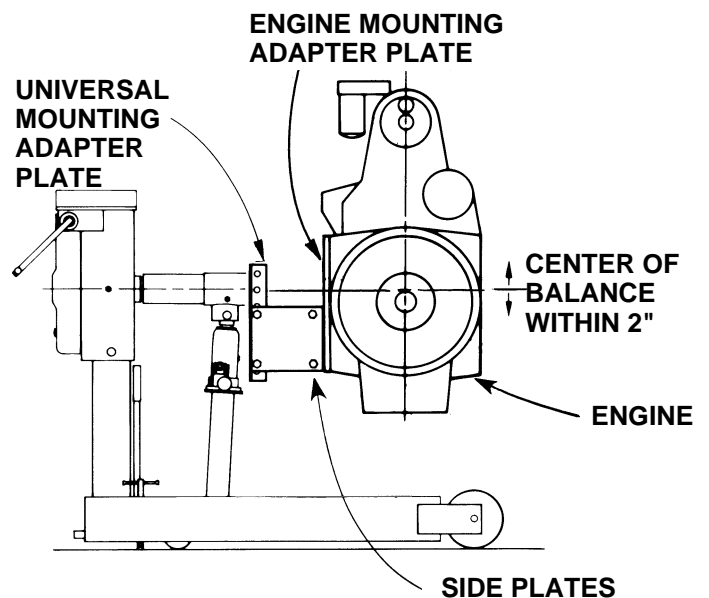
528858

For Mack 864, 865, and 866 V8 Engines  
**Mounting Plate Application Charts**

Used with the OTC No. 1750A Diesel Engine Repair Stand

### Installation Instructions

1. Bolt the mounting plate to the engine as shown on the back side of this sheet.
2. Find the engine's center of balance (or greatest concentration of weight). **NOTE:** This is usually about two inches above the center of the crankshaft. See Figure 1.
3. Attach the side plates to the engine mounting adapter plate, but leave the cap screws and nuts loose.
4. Align the engine (with the side plates attached to the adapter plate) with the universal mounting adapter plate. Raise or lower the engine until its center of balance is in-line with the rotating shaft of the engine stand.
5. Align the closest tapped holes in the universal mounting adapter plate with the holes in the side plates. Securely tighten the side plates to the engine mounting plate and to the universal mounting adapter plate on the engine stand.



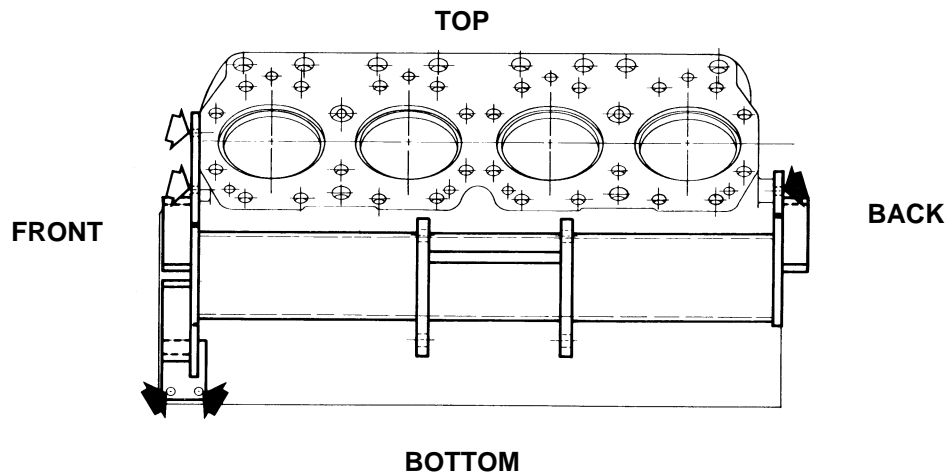
**FIGURE 1**

- ⚠ WARNING:** To prevent personal injury,
- Wear eye protection that meets ANSI Z87.1 and OSHA standards.
  - All mounting screws and bolts **MUST** be tight before starting work on the engine.
  - Use only SAE Grade 8 (or metric Grade 10.9) cap screws to mount the plate to the engine and to the engine repair stand.

**Mounting Plate No. 528858**

Item	Description	Qty.	Part No.
CAP SCREWS	3/8-16 UNC X 1" Lg.	3	<b>19812</b>
	7/16-15 UNC x 1" Lg.	2	<b>19874</b>
WASHERS	3/8" Bolt Size	3	<b>10231</b>
	7/16" Bolt Size	2	<b>10232</b>

**Left Side of Block**



- ▶ (3) 3/8-16 UNC x 1" Lg. Cap Screw, Grade 8
- ▶ (3) 3/8" Washer
- ◁ (2) 7/16-14 UNC x 1" Lg. Cap Screw, Grade 8
- ◁ (2) 7/16" Washer