

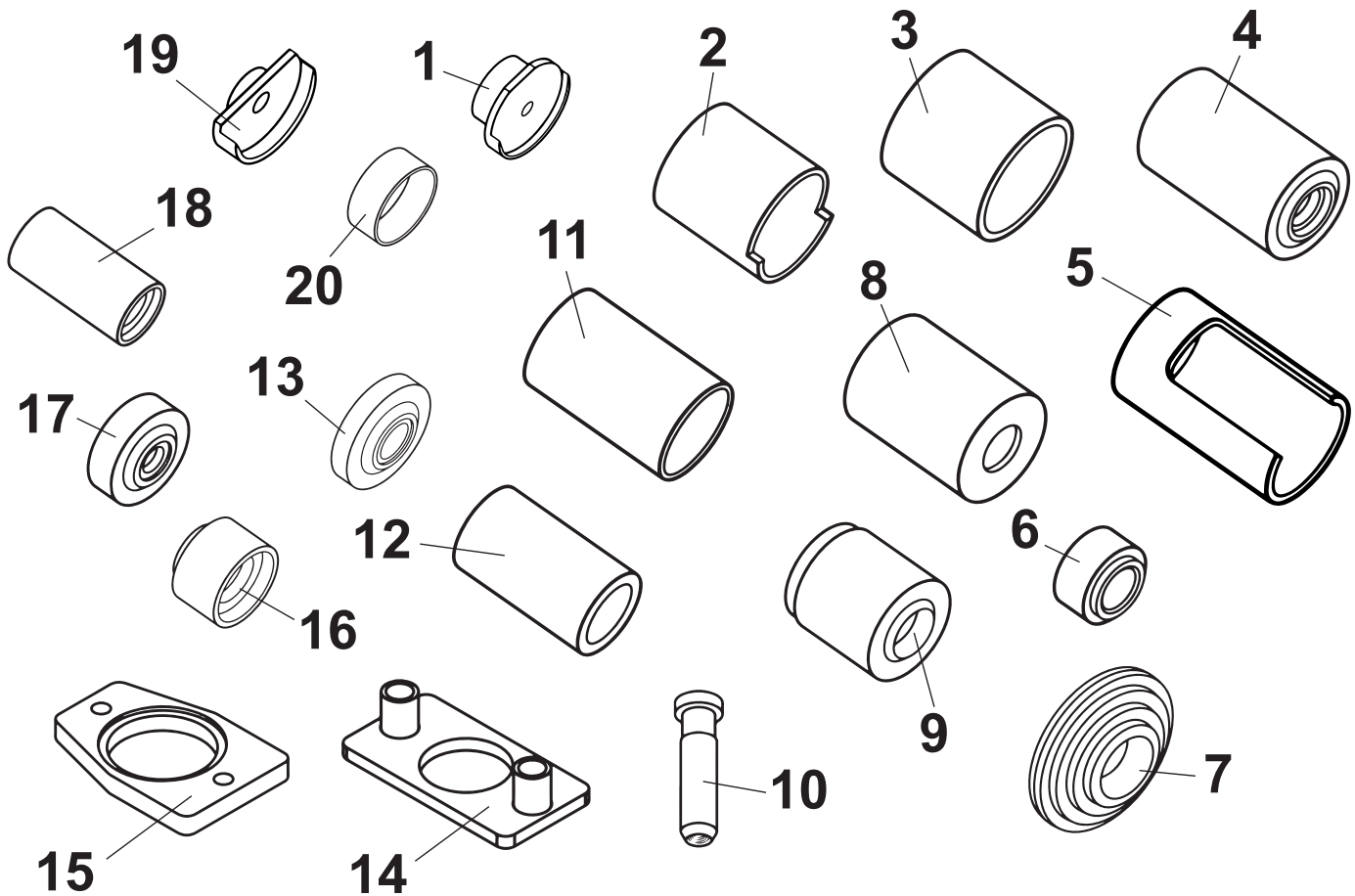


655 Eisenhower Drive
 Owatonna, MN 55060 USA
 Phone: (507) 455-7000
 Tech. Serv.: (800) 533-6127
 Fax: (800) 955-8329
 Order Entry: (800) 533-6127
 Fax: (800) 283-8665
 International Sales: (507) 455-7223
 Fax: (507) 455-7063

Form No. 555190

Parts List for: 6529-2

Chrysler, Mitsubishi Ball Joint Adapter Kit



Parts List

Item No.	Part No.	Description	Item No.	Part No.	Description
1	554590	Adapter	11	554397	Adapter
2	554421	Adapter	12	554399	Adapter
3	554478	Adapter	13	554414	Adapter
4	38355A	Adapter	14	554476	Adapter
5	554592	Adapter	15	554477	Adapter
6	313968	Adapter	16	554415	Adapter
7	305227	Adapter	17	204508A	Adapter
8	313969	Adapter	18	554416	Adapter
9	38354	Adapter	19	554593	Adapter
10	314392	Plug	20	554422	Adapter

NOTE: Models not listed most likely require the control arm with ball joint assembly be replaced, or has a bolt-in style ball joint.

Chrysler

Model	Year	Type	Position	Location	Removal Adapters	Installation Adapters	Page
200	2011-2014	Car	Lower	Front	554590, 554592	38355A, 554593	9
300	2005-2017	Car	Lower	Front	554476, 554477, 554478	38354, 204508A	5
Cirrus	1995-2000	Car	Upper	Front	38354, 554416	38355A, 554414	6
Cirrus	1995-2000	Car	Upper	Rear	38354, 554416	38355A, 554414	7
Neon	2000-2002	Car	Lower	Front	554416, 554421	313969, 554414	8
PT Cruiser	2001-2010	Car	Lower	Front	554416, 554421	313969, 554414	8
Sebring Convertible	1996-2006	Car	Upper	Front	38354, 554416	38355A, 554414	6
Sebring Convertible	1996-2006	Car	Upper	Rear	38354, 554416	38355A, 554414	7
Sebring Convertible	2007	Car	Lower	Front	554590, 554592	38355A, 554593	9
Sebring Coupe	2001-2005	Car	Lower	Front	38354, 554399	305277, 554397, 554422	10
Sebring Sedan	1996-2006	Car	Upper	Front	38354, 554416	38355A, 554414	6
Sebring Sedan	2001-2006	Car	Upper	Rear	38354, 554416	38355A, 554414	7
Sebring Sedan	2007-2008	Car	Lower	Front	554590, 554592	38355A, 554593	9
Sebring	2009-2010	Car	Lower	Front	554590, 554592	38355A, 554593	9

Dodge

Model	Year	Type	Position	Location	Removal Adapters	Installation Adapters	Page
Avenger	2008-2014	Car	Lower	Front	554590, 554592	38355A, 554593	9
Caliber FWD/AWD	2007-2012	Car	Lower	Front	313968, 313969	313969, 554415	11
Challenger	2008-2017	Car	Lower	Front	554476, 554477, 554478	38354, 204508A	5
Charger	2005-2016	Car	Lower	Front	554476, 554477, 554478	38354, 204508A	5
Colt	1984-1994	Car	Lower	Front	313968, 313969	38355A	12
Magnum RWD	2005-2008	Car	Lower	Front	554476, 554477, 554478	38354, 204508A	5
Neon	1995-1999	Car	Lower	Front	38354, 554416	554397, 554414	13
Neon	2000-2005	Car	Lower	Front	554416, 554421	313969, 554414	8
SRT4	2003-2005	Car	Lower	Front	554416, 554421	313969, 554414	8
Stratus	1995-2006	Car	Upper	Front	38354, 554416	38355A, 554414	6
Stratus	1995-2000	Car	Upper	Rear	38354, 554416	38355A, 554414	7
Stratus Coupe	2001-2005	Car	Lower	Front	38354, 554399	305277, 554397, 554422	10
Stratus Sedan	2001-2006	Car	Upper	Rear	38354, 554416	38355A, 554414	7
SX 2.0	2003-2005	Car	Lower	Front	554416, 554421	313969, 554414	8

Eagle

Model	Year	Type	Position	Location	Removal Adapters	Installation Adapters	Page
2000 GTX (Canada only)	1991-1993	Car	Lower	Front	313968, 313969	38355A	12
Summit	1991-1996	Car	Lower	Front	313968, 313969	38355A	12
Talon	1990-1994	Car	Lower	Front	313968, 313969	38355A	12

Mitsubishi

Model	Year	Type	Position	Location	Removal Adapters	Installation Adapters	Page
Eclipse	1990-1994	Car	Lower	Front	313968, 313969	38355A	12
Eclipse	2000-2005	Car	Lower	Front	38354, 554399	305277, 554397, 554422	10
Eclipse	2006-2012	Car	Lower	Front	537500, 554413	29503, 305227, 554414	14
Galant	1985-1993	Car	Lower	Front	313968, 313969	38355A	12
Galant	1999-2003	Car	Lower	Front	38354, 554399	305277, 554397, 554422	10
Galant	2004-2011	Car	Lower	Front	537500, 554413	29503, 305227, 554414	14

Plymouth

Model	Year	Type	Position	Location	Removal Adapters	Installation Adapters	Page
Breeze	1996-2000	Car	Upper	Front	38354, 554416	38355A, 554414	6
Breeze	1996-2000	Car	Upper	Rear	38354, 554416	38355A, 554414	7
Laser	1990-1994	Car	Lower	Front	313968, 313969	38355A	12
Neon	1995-1999	Car	Lower	Front	38354, 554416	554397, 554414	13
Neon	2000-2001	Car	Lower	Front	554416, 554421	313969, 554414	8

Explanation of Safety Signal Words



WARNING: Indicates a potentially hazardous situation which, if not avoided, could result in death or serious injury.



CAUTION: Indicates a potentially hazardous situation which, if not avoided, may result in minor or moderate injury.

CAUTION: Used without the safety alert symbol indicates a potentially hazardous situation which, if not avoided, may result in property damage.

Notes: Provide clarity and helpful information.

Safety Precautions



CAUTION: To prevent personal injury,



- Wear protective eyewear that meets the requirements of ANSI Z87.1 and OSHA.



- Before performing any repairs on a vehicle, block all wheels to prevent movement.
- Check the final alignment of tooling and components before using the C-frame press to exert pressure.

U-Joint Service

The C-frame included in this kit also may be used to service U-joints on most cars and light trucks – either on or off vehicle.

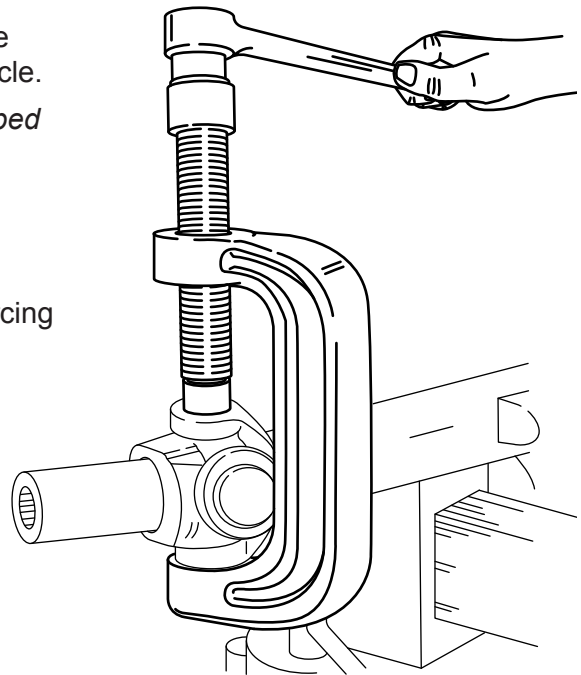
Note: This application uses the standard plug (29501) shipped with the forcing screw, not the 314392.

Disassembly

1. Remove external / internal lock rings.
2. Position C-frame around driveshaft yoke, and tighten forcing screw until first bearing is removed.
3. Position C-frame on second bearing, and tighten forcing screw until second bearing is removed.

Assembly

1. Clean dirt and oil from yoke area.
2. Align C-frame and new bearing as straight as possible over yoke.
3. Press new bearing into yoke, and install lock rings.
4. Position C-frame and second bearing as straight as possible over yoke.
5. Press new bearing into yoke, and install lock rings.



Ball Joint: Lower Front

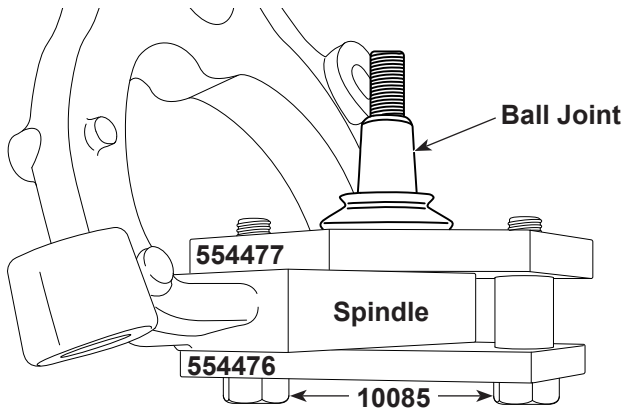
Application

Chrysler 300 2005-2017
Dodge Challenger 2008-2017
Dodge Charger 2005-2016
Dodge Magnum RWD 2005-2008

Note: Remove live center plug from C-frame forcing screw; replace it with 314392 plug supplied with this kit.

Removal

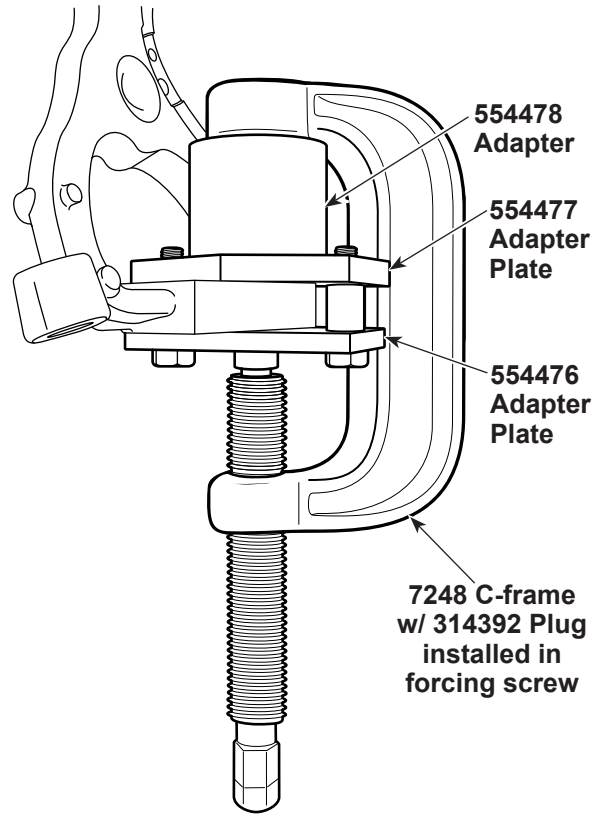
1. Remove dust plate bolts and ball joint snap ring.
2. Position 554476 and 554477 adapter plates on spindle, and install 10085 bolts as shown.



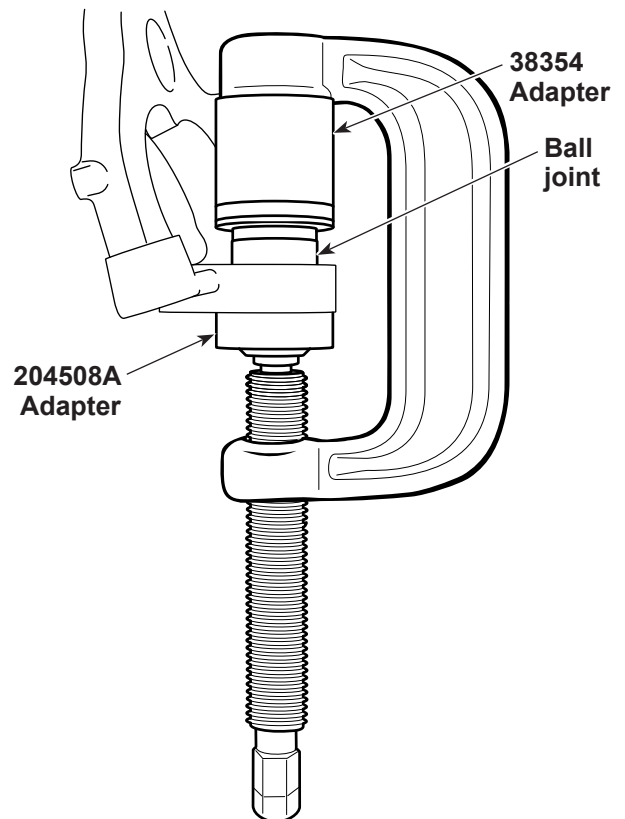
3. Position components as shown.
4. Turn forcing screw until plug meets ball joint or adapter. Check alignment of all components.
5. Tighten forcing screw until ball joint is removed.
6. Remove 554476 and 554477.

Installation

1. Clean ball joint bore in spindle.
2. Insert new ball joint as straight as possible into spindle.
3. Position components as shown.
4. Turn forcing screw until plug meets ball joint or adapter. Check alignment of all components.
5. Tighten forcing screw until ball joint is firmly seated.
6. Install dust boot.



Removal



Installation

Ball Joint: Upper Front

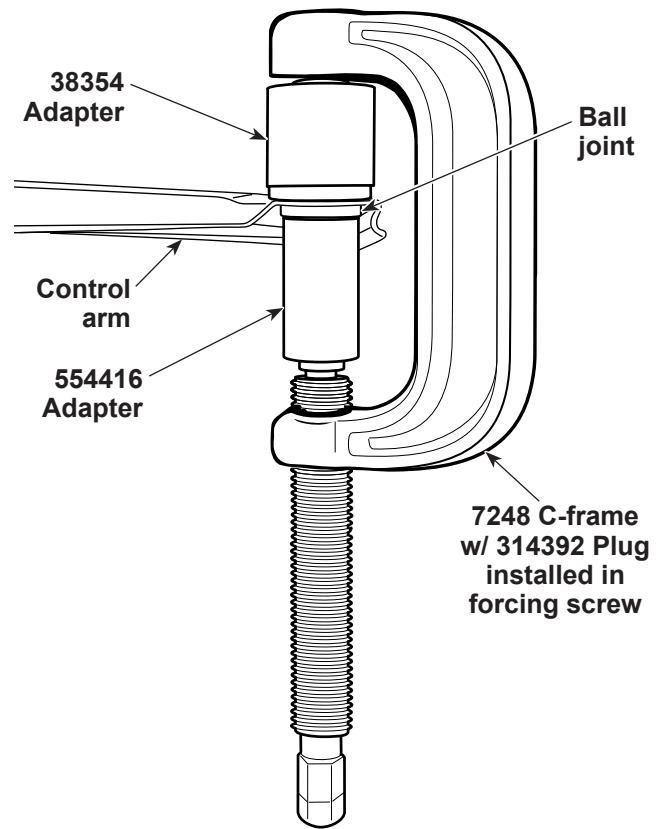
Application

Chrysler Cirrus 1995-2000
Chrysler Sebring Convertible 1996-2006
Chrysler Sebring Sedan 1996-2006
Dodge Stratus 1995-2006
Plymouth Breeze 1996-2000

Note: Remove live center plug from C-frame forcing screw; replace it with 314392 plug supplied with this kit.

Removal

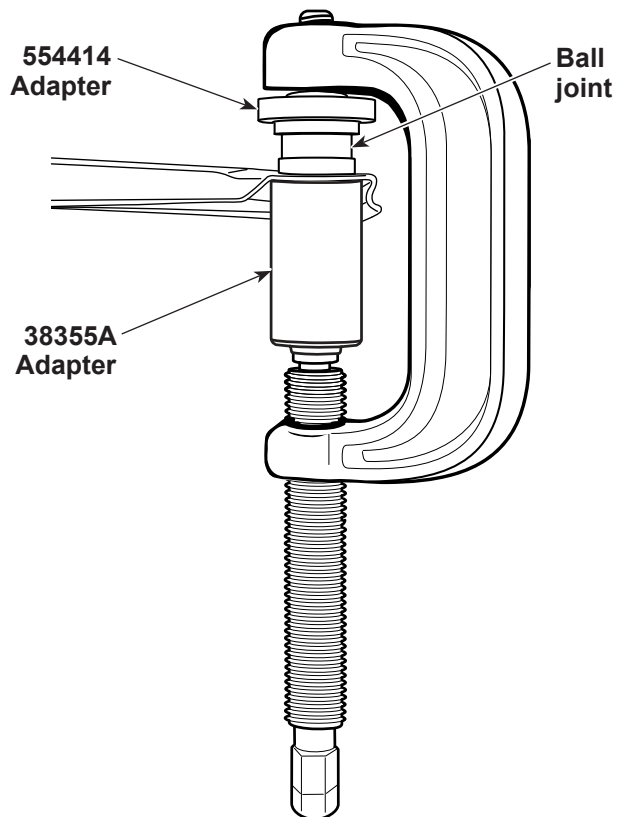
1. Remove dust boot.
2. Position components as shown.
3. Turn forcing screw until plug meets ball joint or adapter. Check alignment of all components.
4. Tighten forcing screw until ball joint is removed.



Removal

Installation

1. Clean ball joint bore in control arm.
2. Insert new ball joint as straight as possible into control arm.
3. Position components as shown.
4. Turn forcing screw until plug meets ball joint or adapter. Check alignment of all components.
5. Tighten forcing screw until ball joint is firmly seated.
6. Install dust boot.



Installation

Ball Joint: Upper Rear

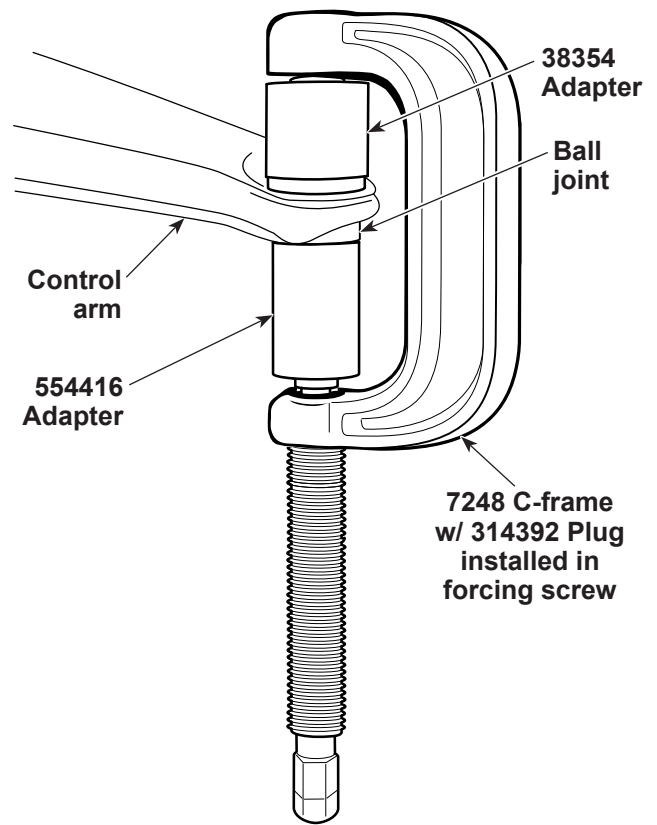
Application

Chrysler Cirrus 1995-2000
Chrysler Sebring Convertible 1996-2006
Chrysler Sebring Sedan 2001-2006
Dodge Stratus 1995-2000
Dodge Stratus Sedan 2001-2006
Plymouth Breeze 1996-2000

Note: Remove live center plug from C-frame forcing screw; replace it with 314392 plug supplied with this kit.

Removal

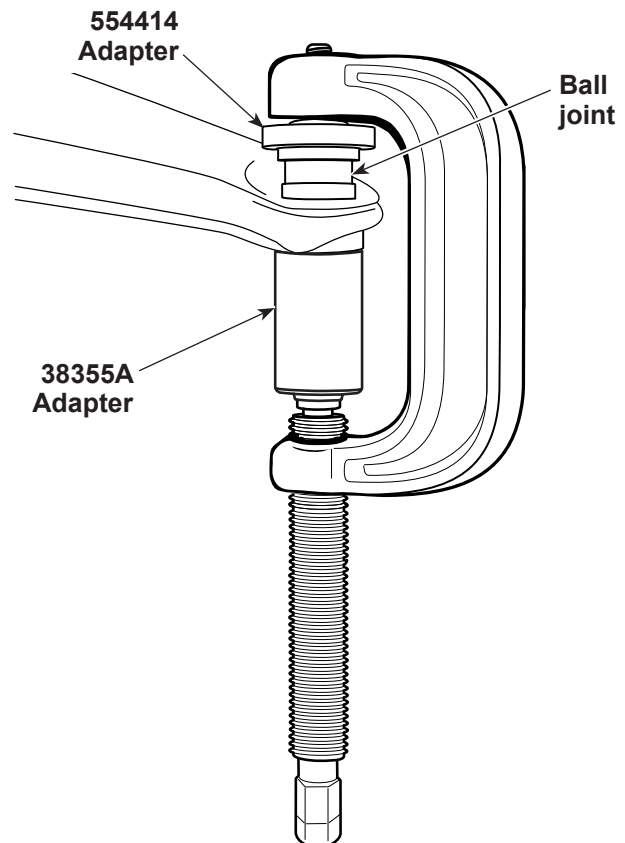
1. Remove dust boot.
2. Position components as shown.
3. Turn forcing screw until plug meets ball joint or adapter. Check alignment of all components.
4. Tighten forcing screw until ball joint is removed.



Removal

Installation

1. Clean ball joint bore in control arm.
2. Insert new ball joint as straight as possible into control arm.
3. Position components as shown.
4. Turn forcing screw until plug meets ball joint or adapter. Check alignment of all components.
5. Tighten forcing screw until ball joint is firmly seated.
6. Install dust boot.



Installation

Ball Joint: Lower Front

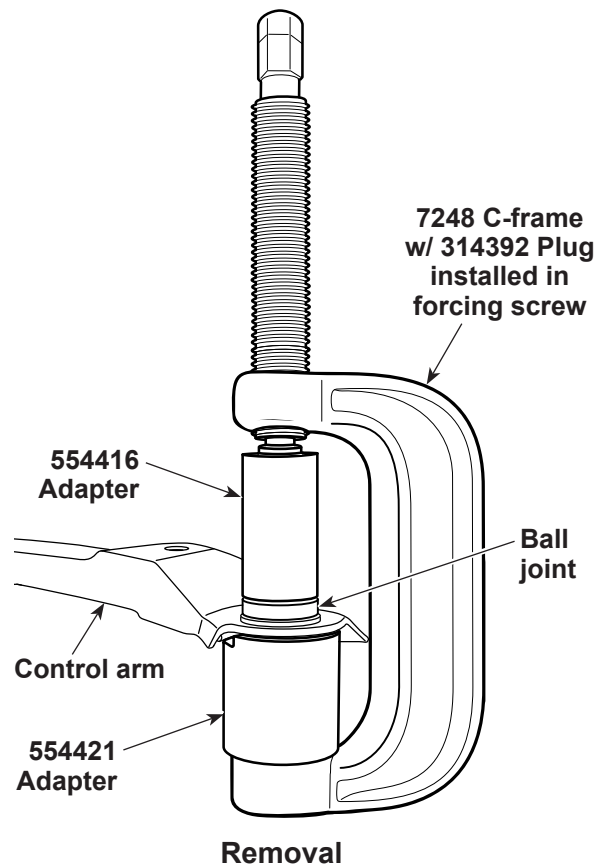
Application

Chrysler Neon 2000-2002
Chrysler PT Cruiser 2001-2010
Dodge Neon 2000-2005
Dodge SRT4 2003-2005
Dodge SX 2.0 2003-2005
Plymouth Neon 2000-2001

Note: Remove live center plug from C-frame forcing screw; replace it with 314392 plug supplied with this kit.

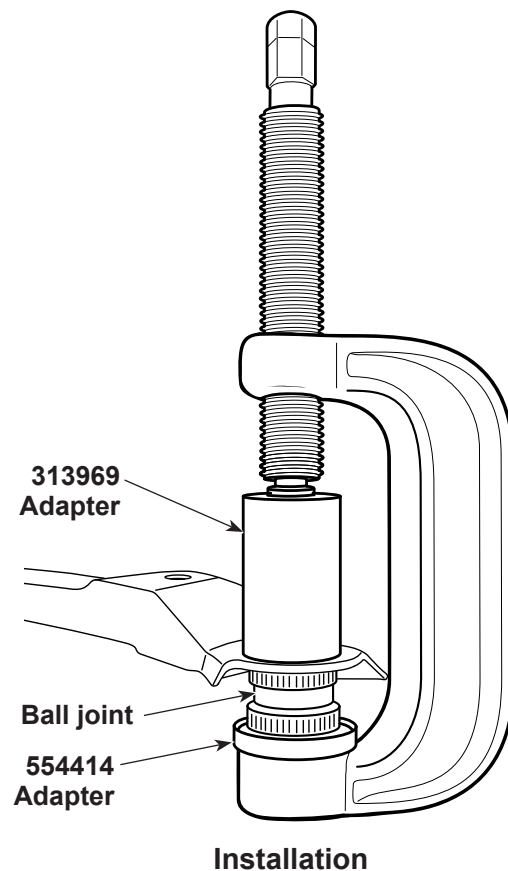
Removal

1. Remove dust boot.
2. Position components as shown.
3. Turn forcing screw until plug meets ball joint or adapter. Check alignment of all components.
4. Tighten forcing screw until ball joint is removed.



Installation

1. Clean ball joint bore in control arm.
2. Insert new ball joint as straight as possible into control arm.
3. Position components as shown.
4. Turn forcing screw until plug meets ball joint or adapter. Check alignment of all components.
5. Tighten forcing screw until ball joint is firmly seated.
6. Install dust boot.



Ball Joint: Lower Front

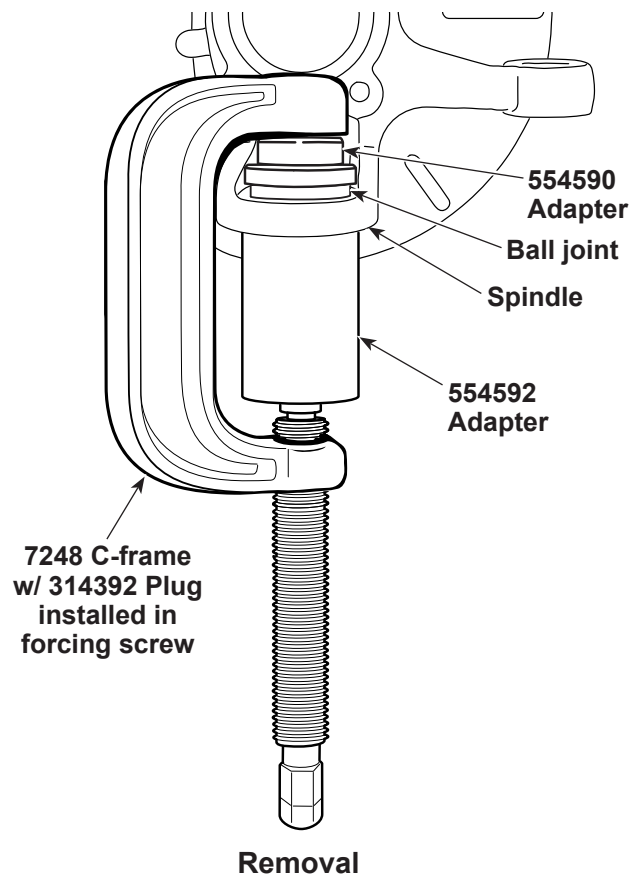
Application

Chrysler 200 2011-2014
Chrysler Sebring 2009-2010
Chrysler Sebring Convertible 2007
Chrysler Sebring Sedan 2007-2008
Dodge Avenger 2008-2014

Note: Remove live center plug from C-frame forcing screw; replace it with 314392 plug supplied with this kit.

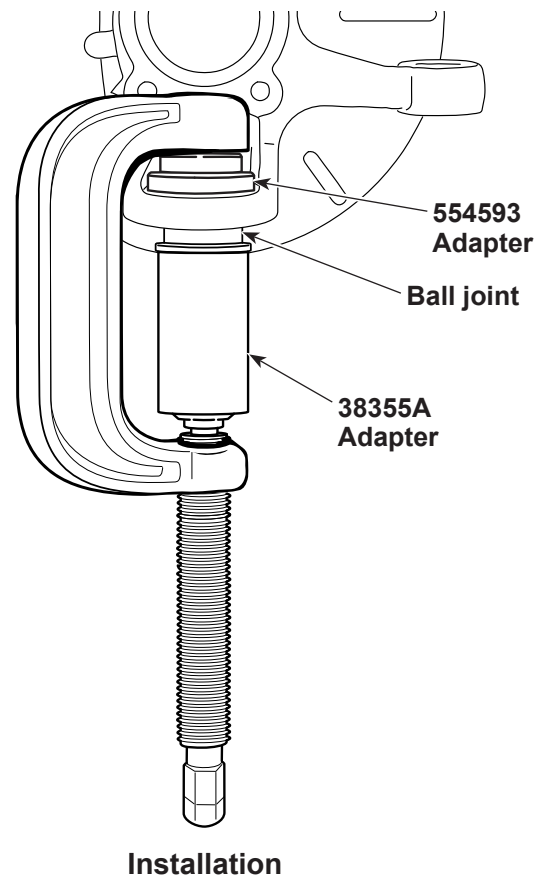
Removal

1. Remove dust boot.
2. Position components as shown.
3. Turn forcing screw until plug meets ball joint or adapter. Check alignment of all components.
4. Tighten forcing screw until ball joint is removed.



Installation

1. Clean ball joint bore in spindle.
2. Insert new ball joint as straight as possible into spindle.
3. Position components as shown.
4. Turn forcing screw until plug meets ball joint or adapter. Check alignment of all components.
5. Tighten forcing screw until ball joint is firmly seated.
6. Install dust boot.



Ball Joint: Lower Front

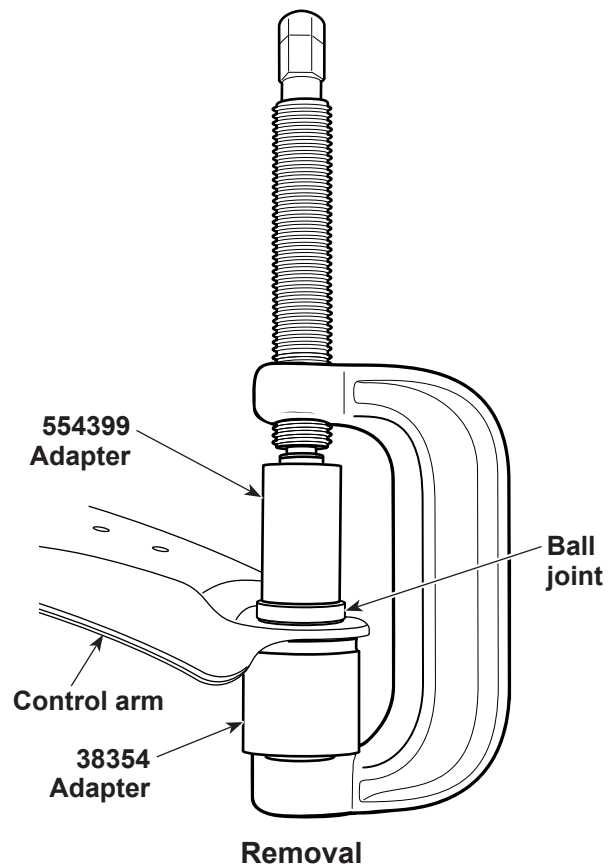
Application

Chrysler Sebring Coupe 2001-2005
Dodge Stratus Coupe 2001-2005
Mitsubishi Eclipse 2000-2005
Mitsubishi Galant 1999-2003

Note: Remove live center plug from C-frame forcing screw; replace it with 314392 plug supplied with this kit.

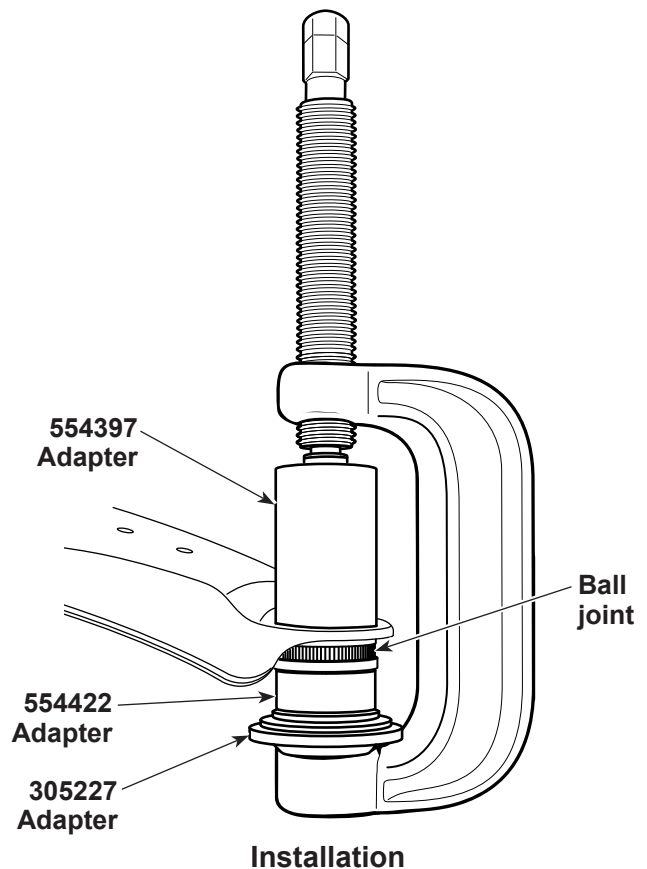
Removal

1. Remove dust boot.
2. Position components as shown.
3. Turn forcing screw until plug meets ball joint or adapter. Check alignment of all components.
4. Tighten forcing screw until ball joint is removed.



Installation

1. Clean ball joint bore in control arm.
2. Insert new ball joint as straight as possible into control arm.
3. Position components as shown.
4. Turn forcing screw until plug meets ball joint or adapter. Check alignment of all components.
5. Tighten forcing screw until ball joint is firmly seated.
6. Install dust boot.



Ball Joint: Lower Front

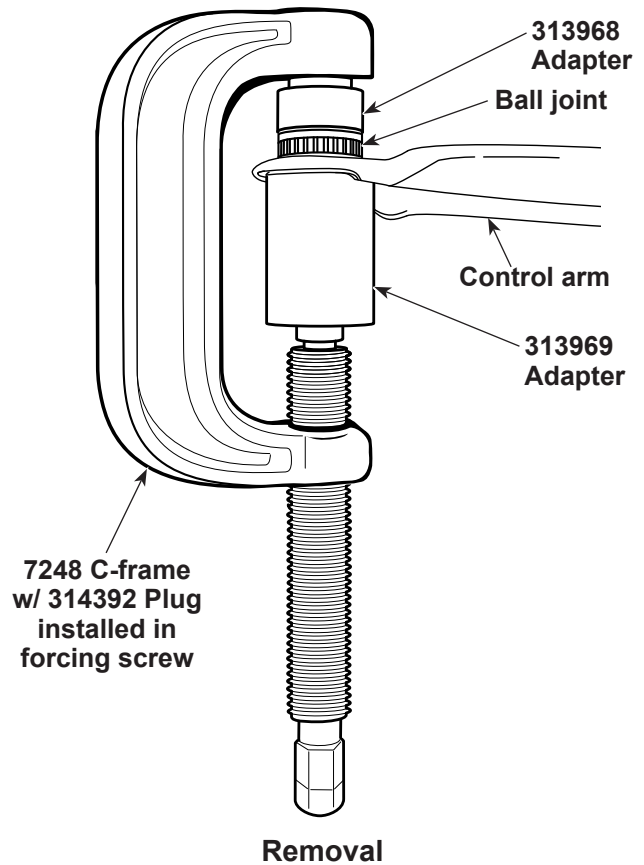
Application

Dodge Caliber FWD/AWD 2007-2012

Note: Remove live center plug from C-frame forcing screw; replace it with 314392 plug supplied with this kit.

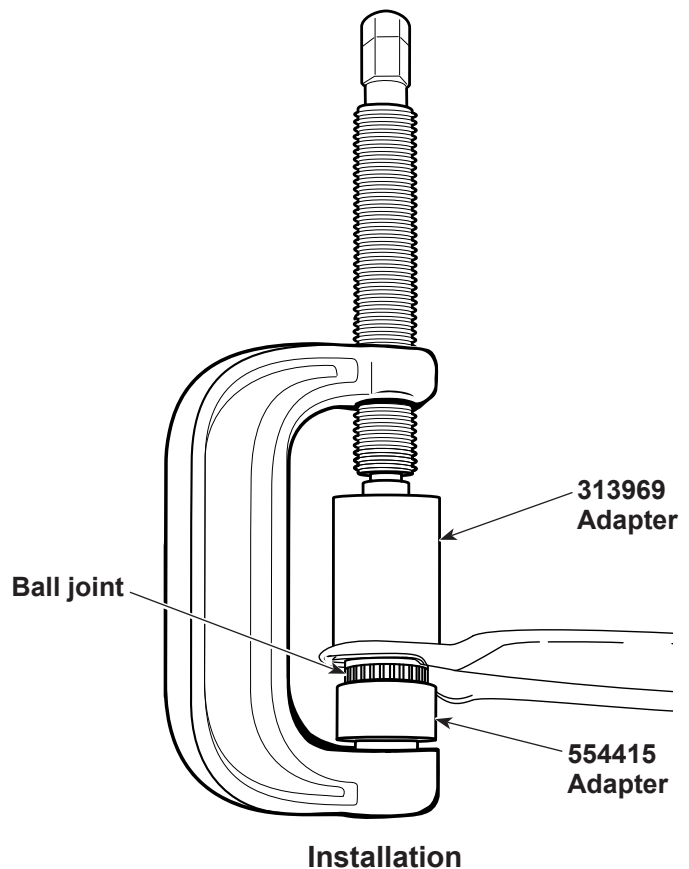
Removal

1. Remove dust boot.
2. Position components as shown.
3. Turn forcing screw until plug meets ball joint or adapter. Check alignment of all components.
4. Tighten forcing screw until ball joint is removed.



Installation

1. Clean ball joint bore in control arm.
2. Insert new ball joint as straight as possible into control arm.
3. Position components as shown.
4. Turn forcing screw until plug meets ball joint or adapter. Check alignment of all components.
5. Tighten forcing screw until ball joint is firmly seated.
6. Install dust boot.



Ball Joint: Lower Front

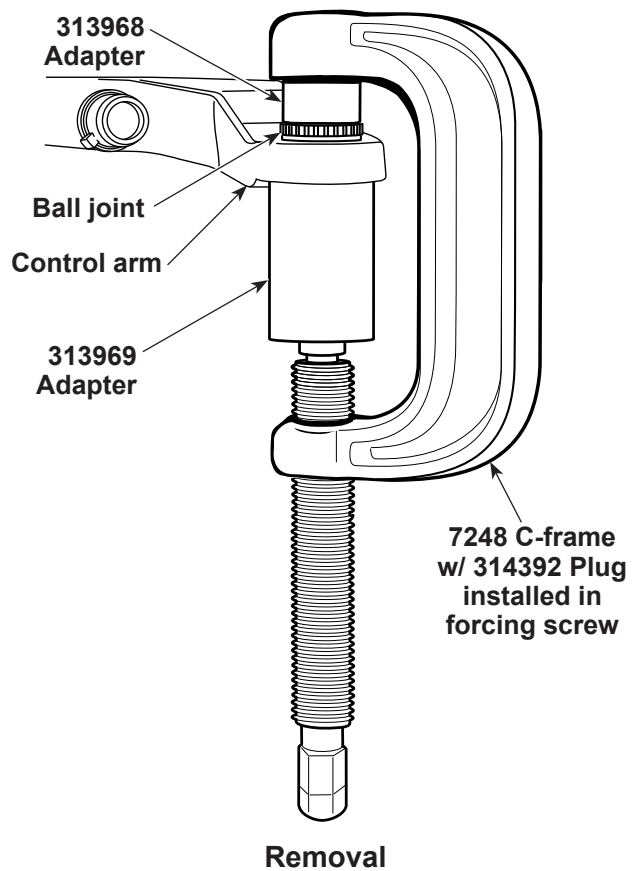
Application

Dodge Colt 1984-1994
Eagle 2000 GTX (Canada only) 1991-1993
Eagle Summit 1991-1996
Eagle Talon 1990-1994
Mitsubishi Eclipse 1990-1994
Mitsubishi Galant 1985-1993
Plymouth Laser 1990-1994

Note: Remove live center plug from C-frame forcing screw; replace it with 314392 plug supplied with this kit.

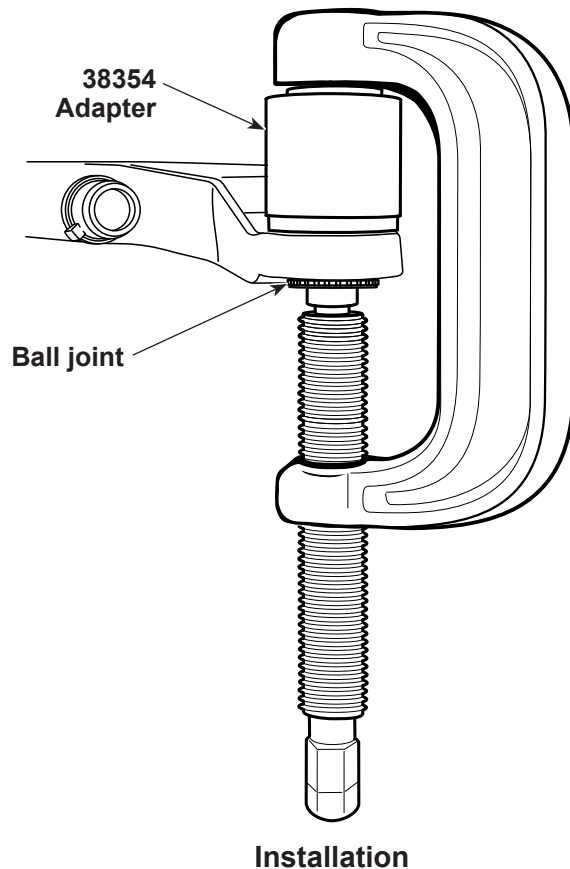
Removal

1. Remove dust boot.
2. Position components as shown.
3. Turn forcing screw until plug meets ball joint or adapter. Check alignment of all components.
4. Tighten forcing screw until ball joint is removed.



Installation

1. Clean ball joint bore in control arm.
2. Insert new ball joint as straight as possible into control arm.
3. Position components as shown.
4. Turn forcing screw until plug meets ball joint or adapter. Check alignment of all components.
5. Tighten forcing screw until ball joint is firmly seated.
6. Install dust boot.



Ball Joint: Lower Front

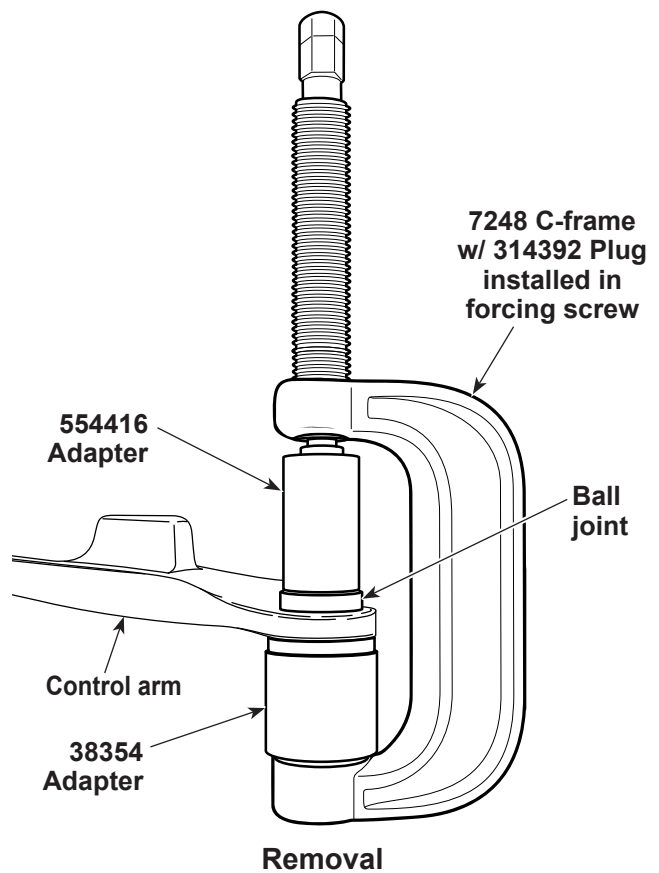
Application

Dodge Neon 1995-1999
Plymouth Neon 1995-1999

Note: Remove live center plug from C-frame forcing screw; replace it with 314392 plug supplied with this kit.

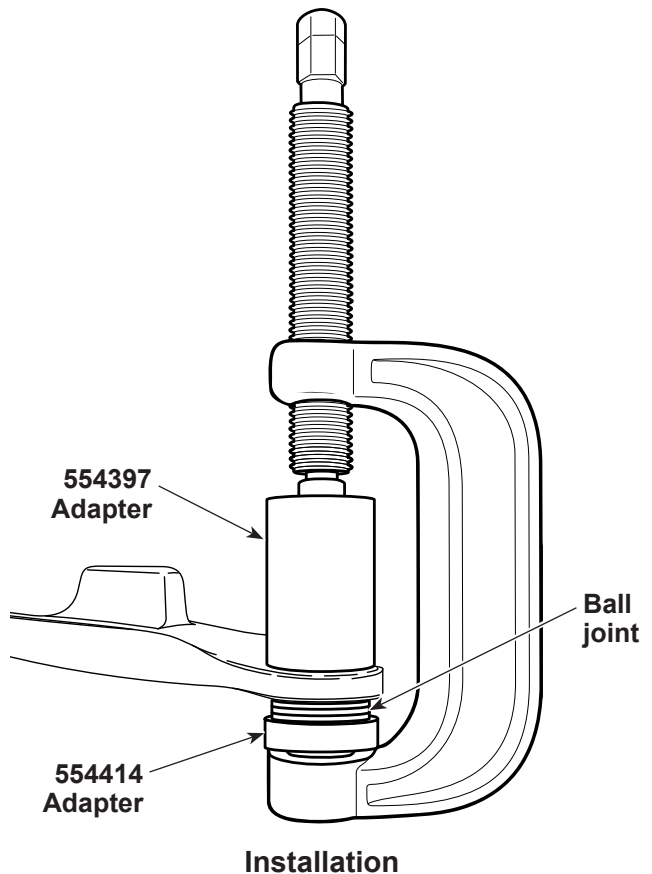
Removal

1. Remove dust boot.
2. Position components as shown.
3. Turn forcing screw until plug meets ball joint or adapter. Check alignment of all components.
4. Tighten forcing screw until ball joint is removed.



Installation

1. Clean ball joint bore in control arm.
2. Insert new ball joint as straight as possible into control arm.
3. Position components as shown.
4. Turn forcing screw until plug meets ball joint or adapter. Check alignment of all components.
5. Tighten forcing screw until ball joint is firmly seated.
6. Install dust boot.



Ball Joint: Lower Front

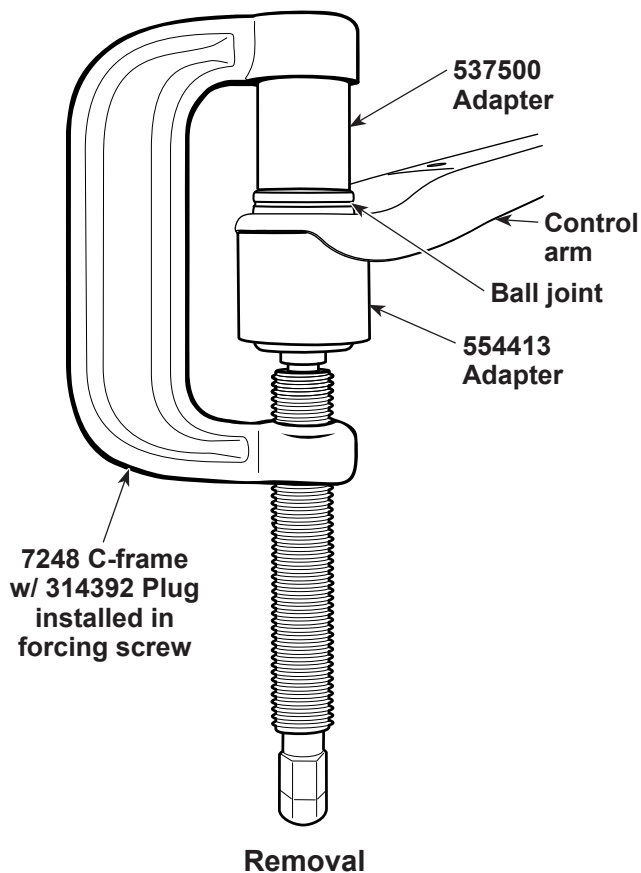
Application

Mitsubishi Galant 2004-2011
Mitsubishi Eclipse 2006-2012

Note: Remove live center plug from C-frame forcing screw; replace it with 314392 plug supplied with this kit.

Removal

1. Remove dust boot.
2. Position components as shown.
3. Turn forcing screw until plug meets ball joint or adapter. Check alignment of all components.
4. Tighten forcing screw until ball joint is removed.



Installation

1. Clean ball joint bore in control arm.
2. Insert new ball joint as straight as possible into control arm.
3. Position components as shown.
4. Turn forcing screw until plug meets ball joint or adapter. Check alignment of all components.
5. Tighten forcing screw until ball joint is firmly seated.
6. Install dust boot.

