



655 EISENHOWER DRIVE  
OWATONNA, MN 55060-0995 USA  
PHONE: (507) 455-7000  
TECH. SERV.: (800) 533-6127  
FAX: (800) 955-8329  
ORDER ENTRY: (800) 533-6127  
FAX: (800) 283-8665  
INTERNATIONAL SALES: (507) 455-7223  
FAX: (507) 455-7063

Form No. 560035

Parts List &  
Operating Instructions  
for:

5093B



Original Instructions

Air / Hydraulic

## 3-Stage Under Axle Jack

Weight: 69.5 kg (153 lbs.)

Maximum Capacity per Stage: 20 / 35 / 65 Metric Tons  
22 / 38.5 / 71.6 US Tons



*Description:*  
Under-axle jack designed to lift  
Class 7 and Class 8 vehicles.

### Explanation of Safety Signal Words

The safety signal word designates the degree or level of hazard seriousness.



**DANGER:** Indicates an imminently hazardous situation which, if not avoided, will result in death or serious injury.



**WARNING:** Indicates a potentially hazardous situation which, if not avoided, could result in death or serious injury.



**CAUTION:** Indicates a potentially hazardous situation which, if not avoided, may result in minor or moderate injury.

**CAUTION:** Used without the safety alert symbol indicates a potentially hazardous situation which, if not avoided, may result in property damage.

© 2012 SPX

Sheet No. 1 of 3

Issue Date: Rev. B April 17, 2012

## Safety Precautions



**CAUTION:** To prevent personal injury and/ or property damage,



- Study, understand, and follow all safety precautions and operating instructions before using this jack. If the operator cannot read instructions, operating instructions and safety precautions must be read and discussed in the operator's native language.

- Only qualified operators may install, operate, adjust, maintain, clean, repair, inspect, or transport this jack.
- Inspect the condition of the jack before each use; do not use if damaged, altered, or in poor condition.

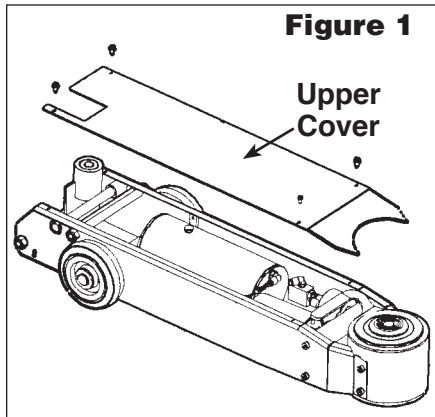


- Wear eye protection that meets ANSI Z87.1, CE EN166, AS/NZS 1337, and OSHA standards.
- The rated capacity for each stage of the jack is shown on the product decal, as well as in this document. Do not exceed the rated capacity of each stage.

- Use on a hard, level surface with the wheels level.
- Lift only on areas of the vehicle as specified by the vehicle manufacturer.



- Center load on jack saddle. Off-center loads can damage seals and cause jack failure.
- This is only a lifting device. Immediately after lifting, support vehicle with appropriate means.
- Stay clear of a lifted load.
- Do not use this jack for anything other than its intended purpose. Do not use the jack to move or dolly a vehicle.
- No alteration shall be made to this product.
- Use only those repair parts called out in the replacement parts list in this document. Items found in the parts list have been carefully tested and selected by OTC.



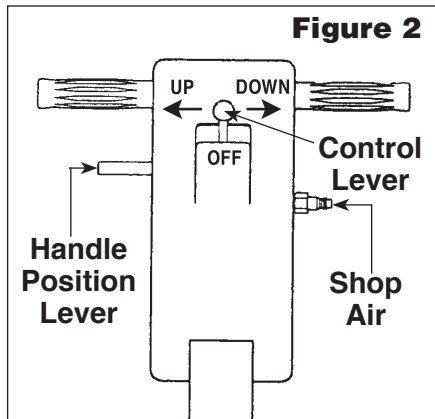
**Figure 1**

Upper Cover

**Setup**

1. See Figure 1. Loosen and remove the four screws holding the upper cover. Remove the upper cover.
  2. Note the handle position lever shown in Figure 2. Use the lever to place the handle in Position 4 (horizontal) as shown in Figure 3.
  3. Insert the bolt and washer near the bottom of the handle assembly. See Figure 4.
- Note: When storing the jack for a long period of time, remove the bolt and washer to place the handle in Position 1.*
4. Install the upper cover.

**Operating Instructions**



**Figure 2**

Handle Position Lever

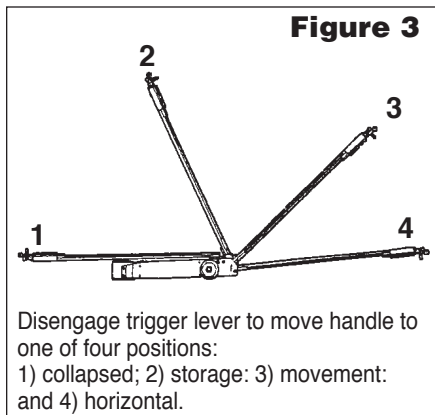
Control Lever

Shop Air

1. Verify the control lever is in the OFF position. See Figure 2.
2. Connect shop air supply to the jack. Recommended air pressure is 7–10 BAR (100–145 psi). Install an air filter / lubricator in the shop air line, because water in the air line will damage the jack.
3. Move the control lever to the UP position to raise the saddle to the contact point. Move the control lever to OFF.

*Note: The extension may be used in the uppermost position if required to meet the contact point.*

4. Check the placement of the jack: lift only on areas of the vehicle as specified by the vehicle manufacturer; center the load on the jack saddle; avoid jack wheel obstructions such as gravel, tools, or uneven expansion joints.
5. Move the control lever to UP to finish lifting the vehicle.
6. Immediately place approved support stands under the vehicle at points recommended by the vehicle manufacturer. Slowly and carefully lower the vehicle onto the support stands by pushing the control lever to the DOWN position.



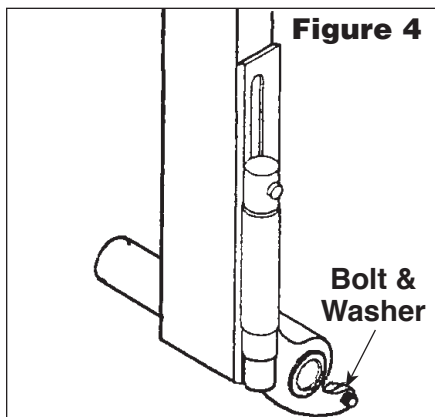
**Figure 3**

Disengage trigger lever to move handle to one of four positions:  
 1) collapsed; 2) storage; 3) movement;  
 and 4) horizontal.

**Bleeding Air from the Jack**

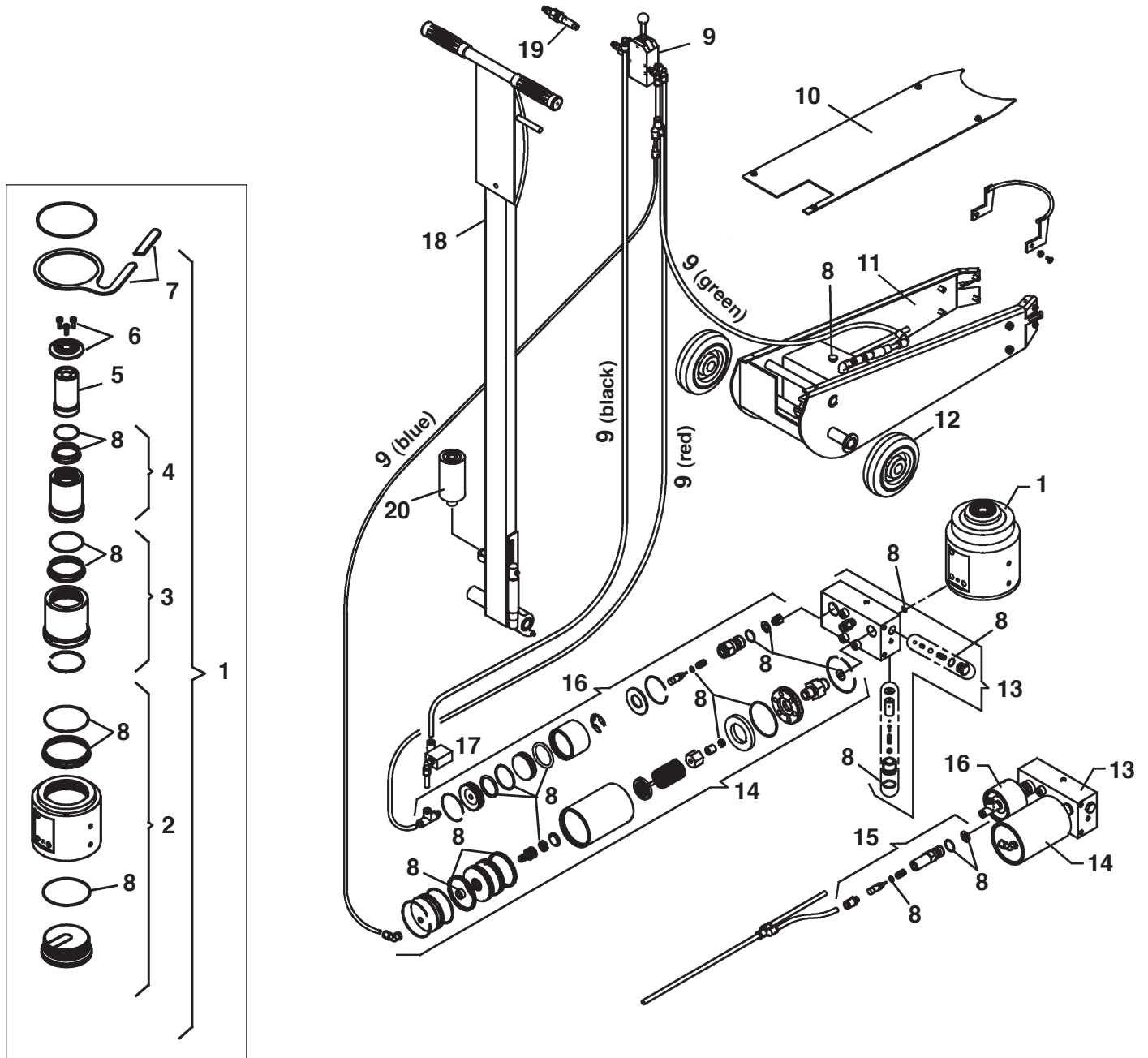
Air can accumulate within a hydraulic system during shipment or after prolonged use. This entrapped air causes the jack to respond slowly or feel “spongy.” To remove the air:

1. Move the control lever to DOWN, and hold it there for a few seconds.
2. Move the control lever to UP to complete a load-free lifting cycle.
3. Move the control lever to DOWN to retract the jack pistons. The pistons should react in a smooth motion; if not, repeat Steps 1–3.



**Figure 4**

Bolt & Washer



**Replacement Parts**

Item No.	Part No.	Description	Item No.	Part No.	Description
1	561789	Power Unit	12	561805	Wheel
2	561795	Base	13	561798	Valve Body
3	561794	Piston (64.9 metric tons)	14	561796	Air Pump
4	561793	Piston (34.9 metric tons)	15	561799	Regulator Valve Assembly
5	561792	Piston (20 metric tons)	16	561797	Regulator
6	561791	Saddle Kit	17	561800	Air Valve
7	561790	Power Unit Handle	18	561803	Handle
8	561788	Hydraulic Unit Seal Kit	19	561802	Air Fitting
9	561801	Release Valve & Hose Kit	20	560806	Extension
10	561806	Top Cover			
11	561807	Frame / Reservoir			

### Inspection and Maintenance



**CAUTION:** To prevent personal injury,

- Only qualified personnel shall perform inspections and repairs to this jack.
- Before each use, an approved inspector must inspect the jack for bends, cracks, dents, elongated holes, or missing hardware. If damage is found, discontinue use.
- Use only those repair parts called out in the parts list in this document. Items found in the parts list have been carefully tested and selected by OTC.
- Disconnect the air supply hose from the jack before performing any maintenance or repair procedure. See Figure 2 for the location of the air supply connection.

#### Inspection

Before each use, an approved inspector must inspect the jack for bends, cracks, dents, elongated holes, or missing hardware. If damage is found, discontinue use.

#### Maintenance

- Periodically lubricate the moving parts of the jack using lubricating oil or grease.
- Use only anti-wear hydraulic jack oil (215 SUS viscosity at 100° F). The use of alcohol, hydraulic brake fluid, or transmission oil could damage the seals in the cylinder and result in jack failure.
- Periodically check the oil level in the cylinder: 1) Retract the pistons completely. 2) Remove the filler plug. The oil level should be between the two marks on the rod. Refill as needed using approved hydraulic fluid. 3) Install the filler plug.
- The greatest single cause of failure in hydraulic units is dirt. Keep the jack clean and well lubricated to prevent foreign matter from entering the hydraulic system.
- Whenever the jack is not in use, fully retract the pistons to reduce the risk of corrosion.

#### Repair

When repairing the jack, use only those repair parts called out in the replacement parts list in this document. Items found in the parts list have been carefully tested and selected by OTC.

#### Disposal

At the end of the useful life of the jack, dispose of the jack according to all state, federal, and local regulations.

### PRODUCT INFORMATION

Record serial number and year of manufacture for future reference. See product identification label on unit for information.

5093B

Serial Number: \_\_\_\_\_ Year of Manufacture: \_\_\_\_\_