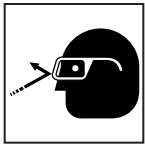


## Jack Stand

Max. Capacity: 22 Tons

### Safety Precautions

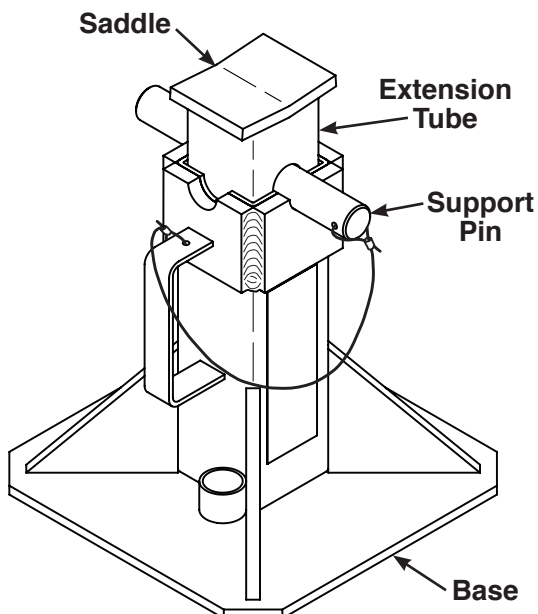
**WARNING:** To prevent personal injury and / or property damage,



- Study, understand, and follow operating instructions and safety precautions before using this device. If the operator cannot read these instructions, the instructions and safety precautions must be read and discussed in the operator's native language.
- Wear eye protection that meets ANSI Z87.1 and OSHA standards.
- Inspect the jack stand before each use; do not use the jack stand if it is damaged, altered, or in poor condition.
- Never exceed the rated support capacity of the jack stand.
- Set up the jack stand on a smooth, hard, level surface. Soft or irregular surfaces may not provide enough support, and the stand could tip.
- Use as a matched pair to support one end of a vehicle only.
- Center the load on the saddle; do not support the load with raised part of the saddle.
- Block the vehicle wheels to prevent movement. Check the jack stands for solid contact with the ground and the vehicle.
- The jack stands and the load must be stable before working under the vehicle.

This jack stand complies with ANSI/ASME PALD standards.

### Operating Instructions



1. Plan the location of the jack stands in pairs on a smooth, hard, level surface to ensure a balanced load.
2. Position each jack stand under the load so the weight will be exerted on the center of the saddle.
3. Raise the extension tube up to the load. Insert the support pin into the hole closest to the base and completely through both walls of the extension tube.

**CAUTION:** To prevent personal injury, verify placement of the support pin before lowering a load.

4. Slowly and carefully lower the load onto the jack stands.
5. If the load is a vehicle, block wheels to prevent movement.

#### Replacement Parts

No. 560860 Pin and Cable Kit