



655 Eisenhower Drive  
 Owatonna, MN 55060 USA  
 Phone: (507) 455-7000  
 Tech. Serv.: (800) 533-6127  
 Fax: (800) 955-8329  
 Order Entry: (800) 533-6127  
 Fax: (800) 283-8665  
 International Sales: (507) 455-7223  
 Fax: (507) 455-7063  
 Website: www.otctools.com

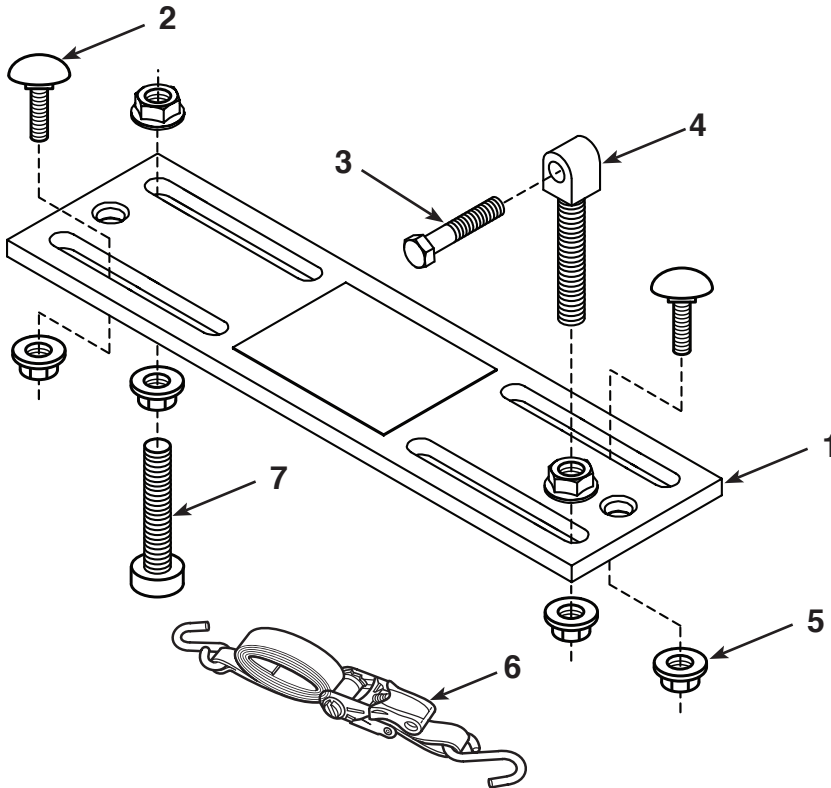
Form No. 561942

**Parts List &  
 Operating Instructions**  
 for:

558382

## Auxiliary Box Adapter

Maximum Capacity: 227 kg (500 lbs.)



*Description:*

*Mounting adapter designed to be used on a transmission jack mounting plate for the purpose of removing and installing the transmission housing auxiliary box.*

*Use with:*

- OTC No. 5019A, 5078, or 1522A Transmission Jack for removal and installation of differential assemblies.
- OTC No. 5130 DriveMaster™ Driveline Lift for removal and installation of driveline components.

### Parts List

Item No.	Part No.	No. Req'd	Description
1	569968	1	Plate Assembly (consists of plate & decal)

### Repair Kit No. 569967

Item No.	Qty.	Description
2	2	Carriage Bolt — 1/2-13 x 30.48 mm (1.25 in.)
3	1	Hex Head Screw — 3/8-16 x 50.8 mm (2 in.)
4	1	Stud — .500-13 x 101.6 mm (4 in.)
5	6	Flange Nut — 1/2-13 thread
6	1	Ratchet Strap — 122 cm (4 ft.)
7	1	Support Screw — 95.25 mm (3.75 in.)

This document contains product parts lists, and information regarding operation and maintenance. Items listed in the parts list have been carefully tested and selected by OTC. Therefore: Use only OTC replacement parts.

Get parts at OTC  
 parts.com.



Product questions can be directed to the OTC Technical Service Department at (800) 533-6127.

© Bosch Automotive Service Solutions LLC

Sheet No. 1 of 2

Issue Date: Rev. A Sept. 12, 2013

## Explanation of Safety Signal Words

The safety signal word designates the degree or level of hazard seriousness.



**DANGER:** Indicates an imminently hazardous situation which, if not avoided, will result in death or serious injury.



**WARNING:** Indicates a potentially hazardous situation which, if not avoided, could result in death or serious injury.



**CAUTION:** Indicates a potentially hazardous situation which, if not avoided, may result in minor or moderate injury.

**CAUTION:** Used without the safety alert symbol indicates a potentially hazardous situation which, if not avoided, may result in property damage.

## Safety Precautions



**CAUTION:** To prevent personal injury and/ or property damage,



- Study, understand, and follow all safety precautions and operating instructions before using the auxiliary box adapter. If the operator cannot read instructions, operating instructions and safety precautions must be read and discussed in the operator's native language.



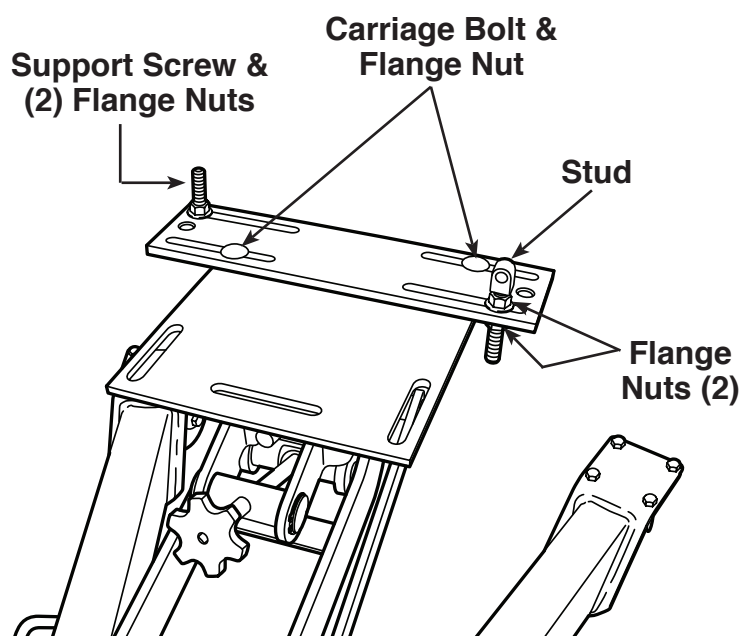
- Only qualified operators may install, operate, adjust, maintain, clean, repair, inspect, or transport this auxiliary box adapter.
- Wear eye protection that meets ANSI Z87.1 and OSHA standards.
- Do not exceed the rated capacity of this auxiliary box adapter as stated in this document and on the warning decal.



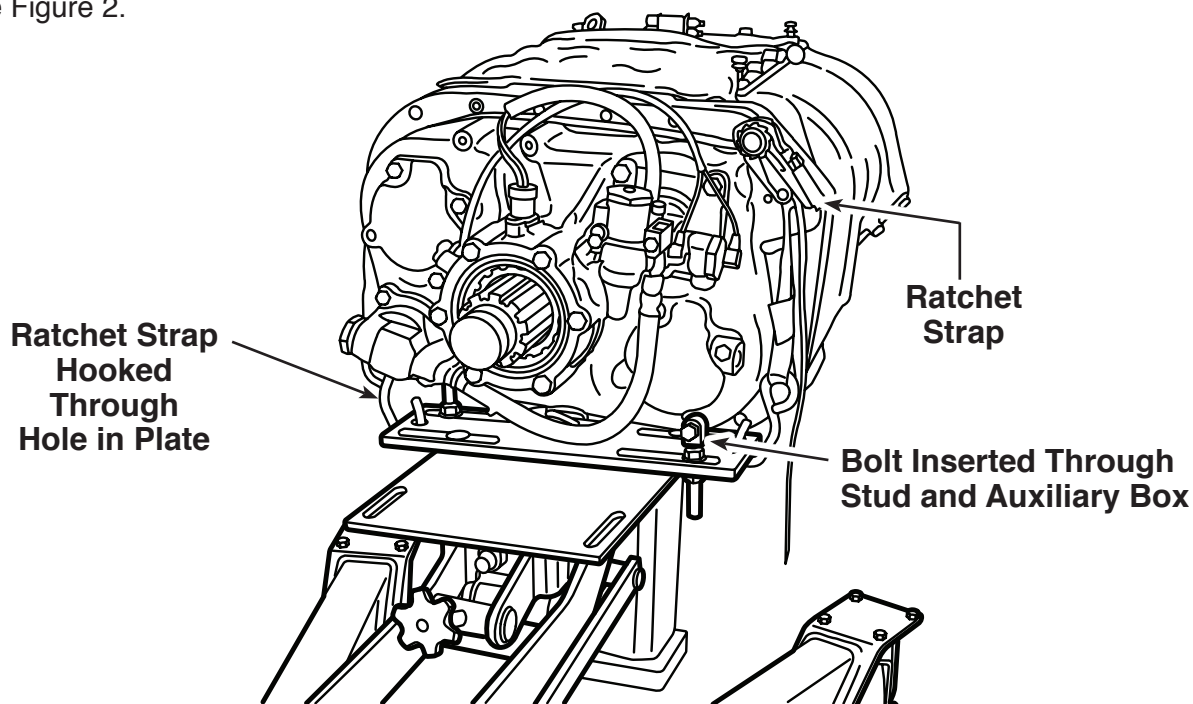
- Do not use this auxiliary box adapter for anything other than their intended purpose.
- Use the ratchet strap included to secure the load to the transmission jack.
- No alteration shall be made to this product.
- Inspect the condition of the auxiliary box adapter before each use; do not use if damaged, altered, or in poor condition.
- Use only those repair parts called out in the parts list in this document. Items found in the parts list have been carefully tested and selected by OTC. Obtain replacement parts at [OTCparts.com](http://OTCparts.com).

## Operating Instructions

1. Install the auxiliary box adapter on the transmission jack mounting plate using the carriage bolts and flange nuts provided. Tighten the flange nuts. See Figure 1.
2. Plan the placement of the support screw and stud to fit your application. Figure 1 shows the support screw and the stud assembled to the adapter plate in one of several possible arrangements.
3. Assemble both the support screw and the stud to the plate with one flange nut above the plate and one flange nut below the plate. The flat side of each flange nut must rest against the plate.
4. Thread the lower flange nut on the stud all the way to the bottom of the threads. This allows room for adjustment.
5. Remove a bolt from the front of the transmission auxiliary box.
6. Move the jack under the transmission, aligning the stud with the hole where the bolt was removed in the auxiliary box. Insert the bolt through the stud and into the auxiliary box. See Figure 2.



**Figure 1**



**Figure 2**

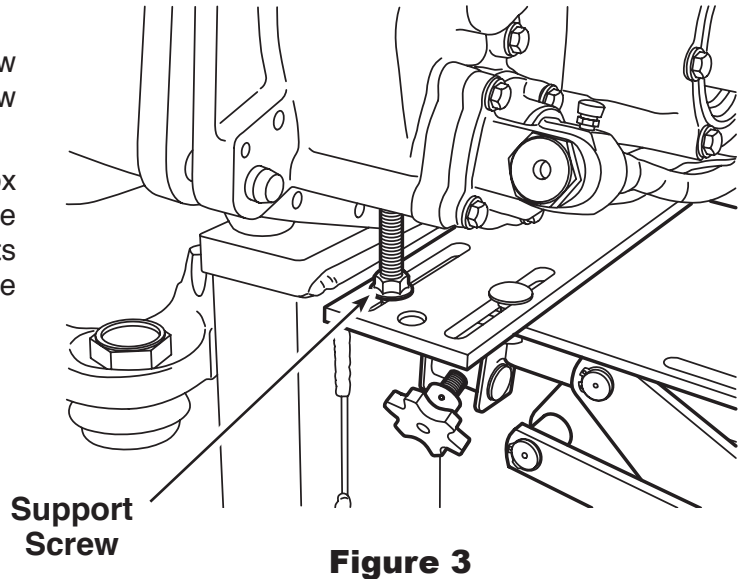
© Bosch Automotive Service Solutions LLC

Sheet No. 2 of 2

Issue Date: Rev. A Sept. 12, 2013

**Operating Instructions contd.**

7. Thread the upper flange nut on the support screw to the bottom of the threads until the support screw touches the housing. See Figure 3.
8. Install the ratchet strap to secure the auxiliary box to the transmission jack. See Figure 2. Attach the hooks on the end of the ratchet strap to the slots provided in the mounting plate or other suitable locations.

**Inspection and Maintenance**

**CAUTION:** To prevent personal injury,

- Only qualified personnel shall perform inspections and repairs to this auxiliary box adapter.
- Before each use, an approved inspector must inspect the auxiliary box adapter for bends, cracks, dents, elongated holes, or missing hardware. If damage is found, discontinue use.
- Use only those repair parts called out in the parts list in this document. Items found in the parts list have been carefully tested and selected by OTC. Order replacement parts from [OTCparts.com](http://OTCparts.com).